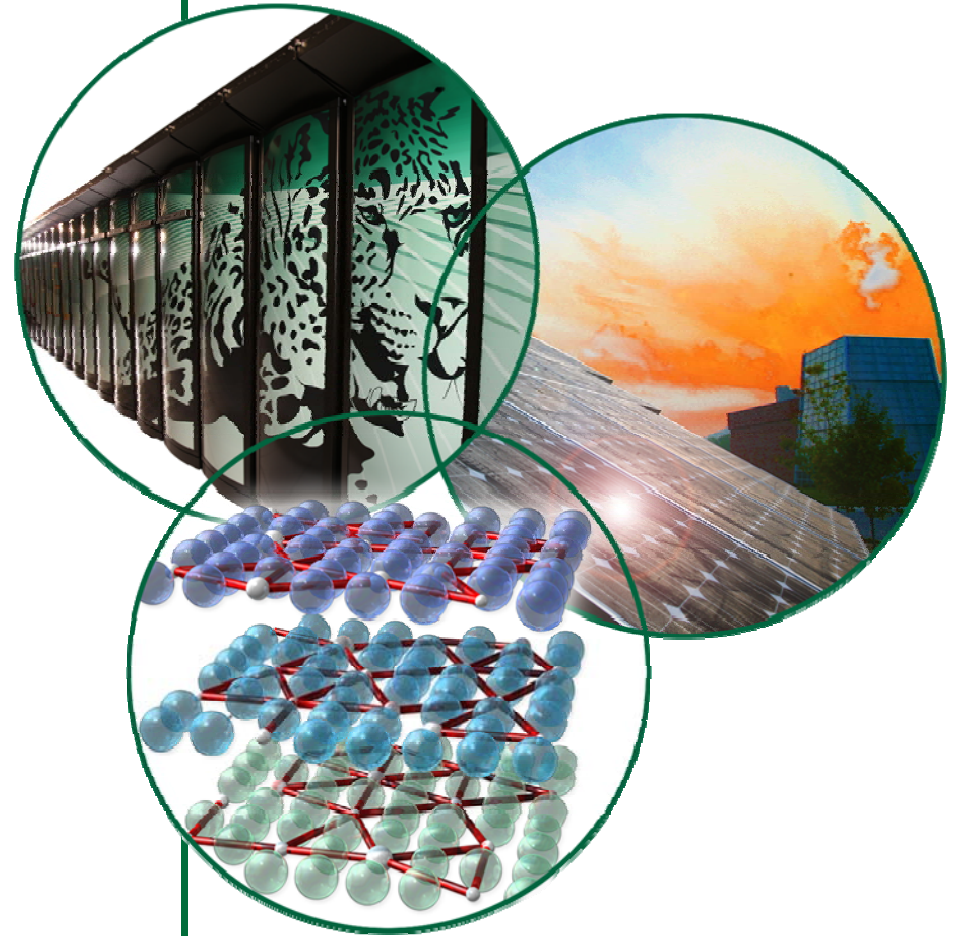


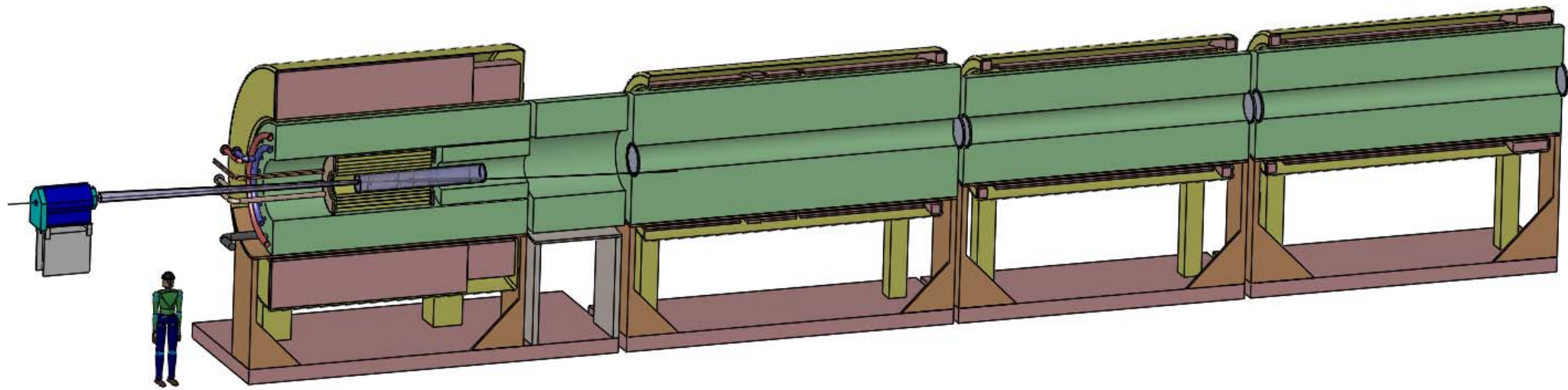
# 20to2T5m120cm4pDL Concept

Van Graves

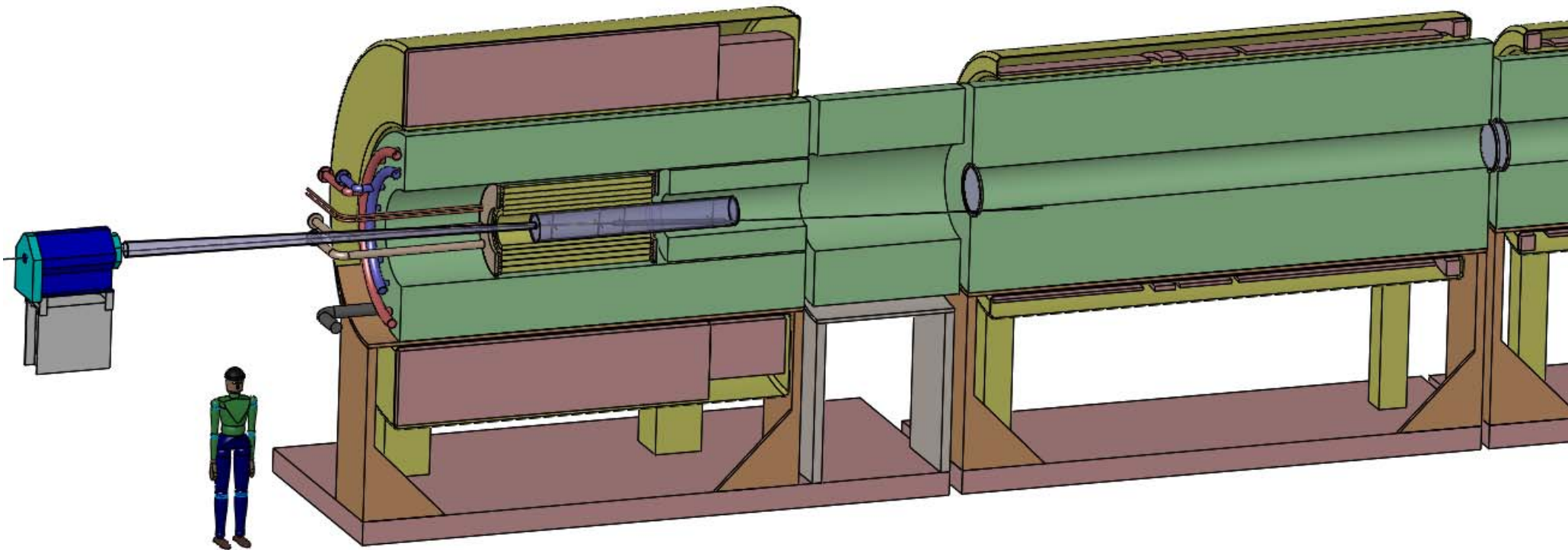
May 23, 2014



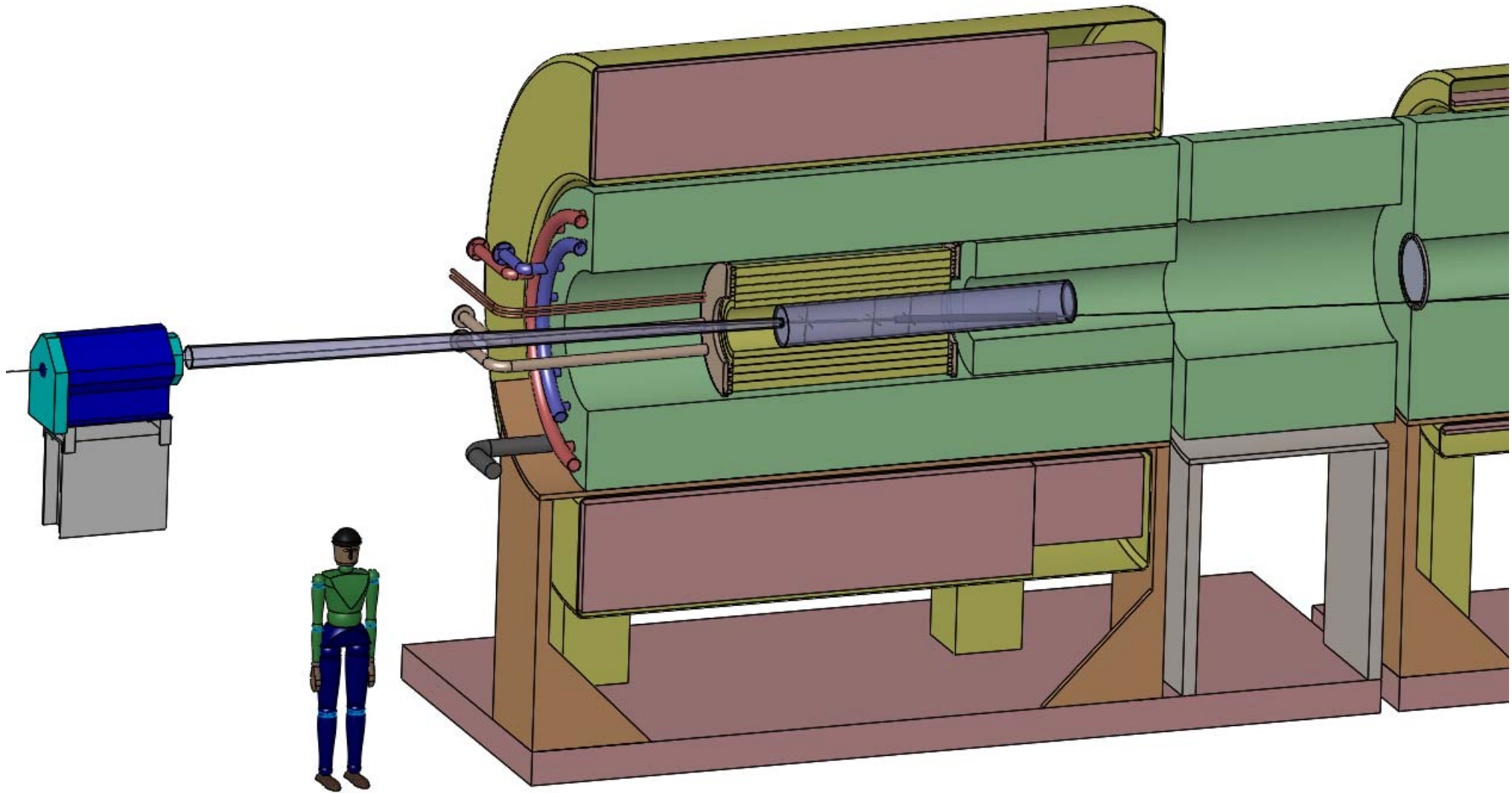
# Overall Layout



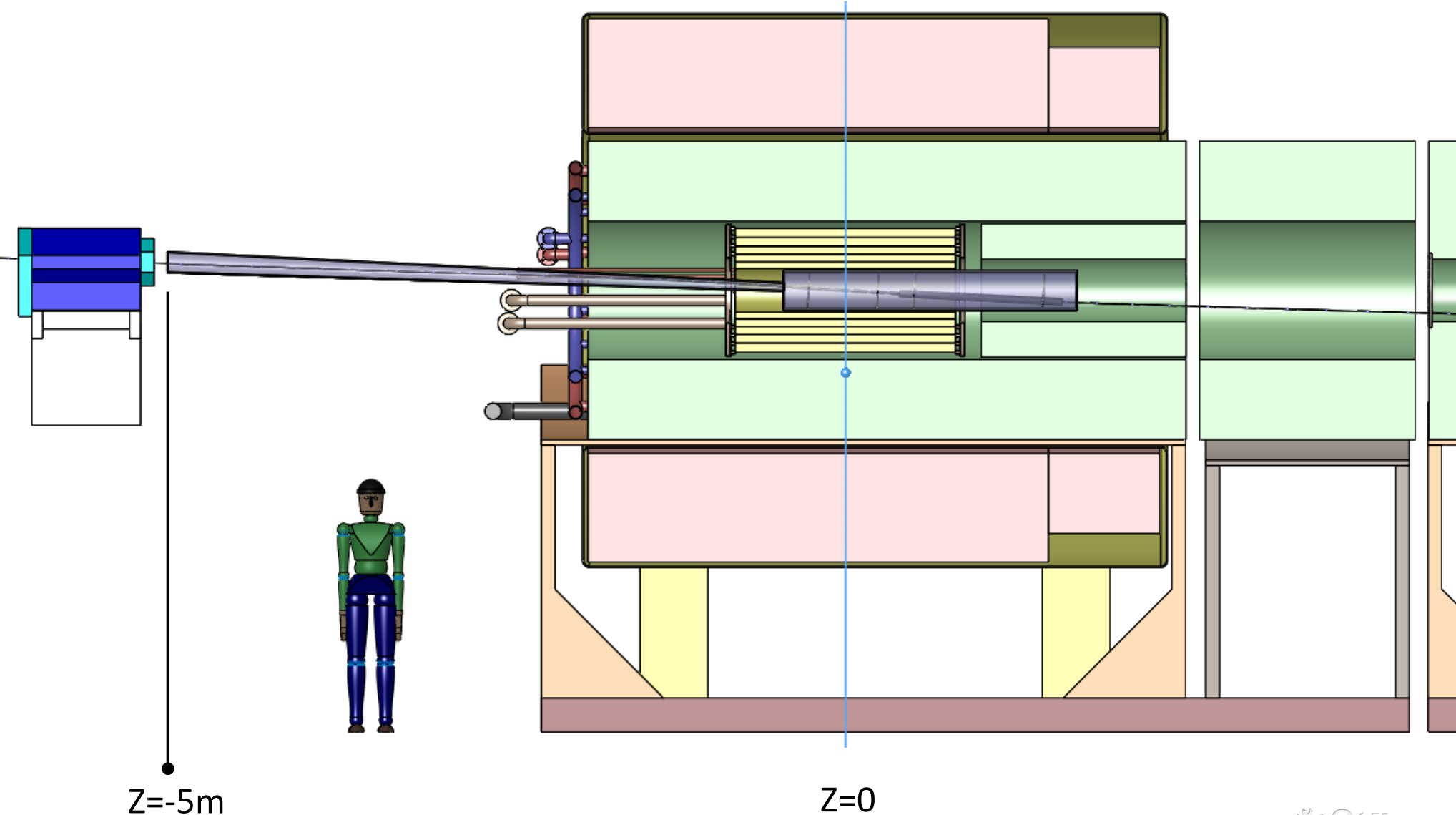
# Large gap between first cryostats allows separate shielding module



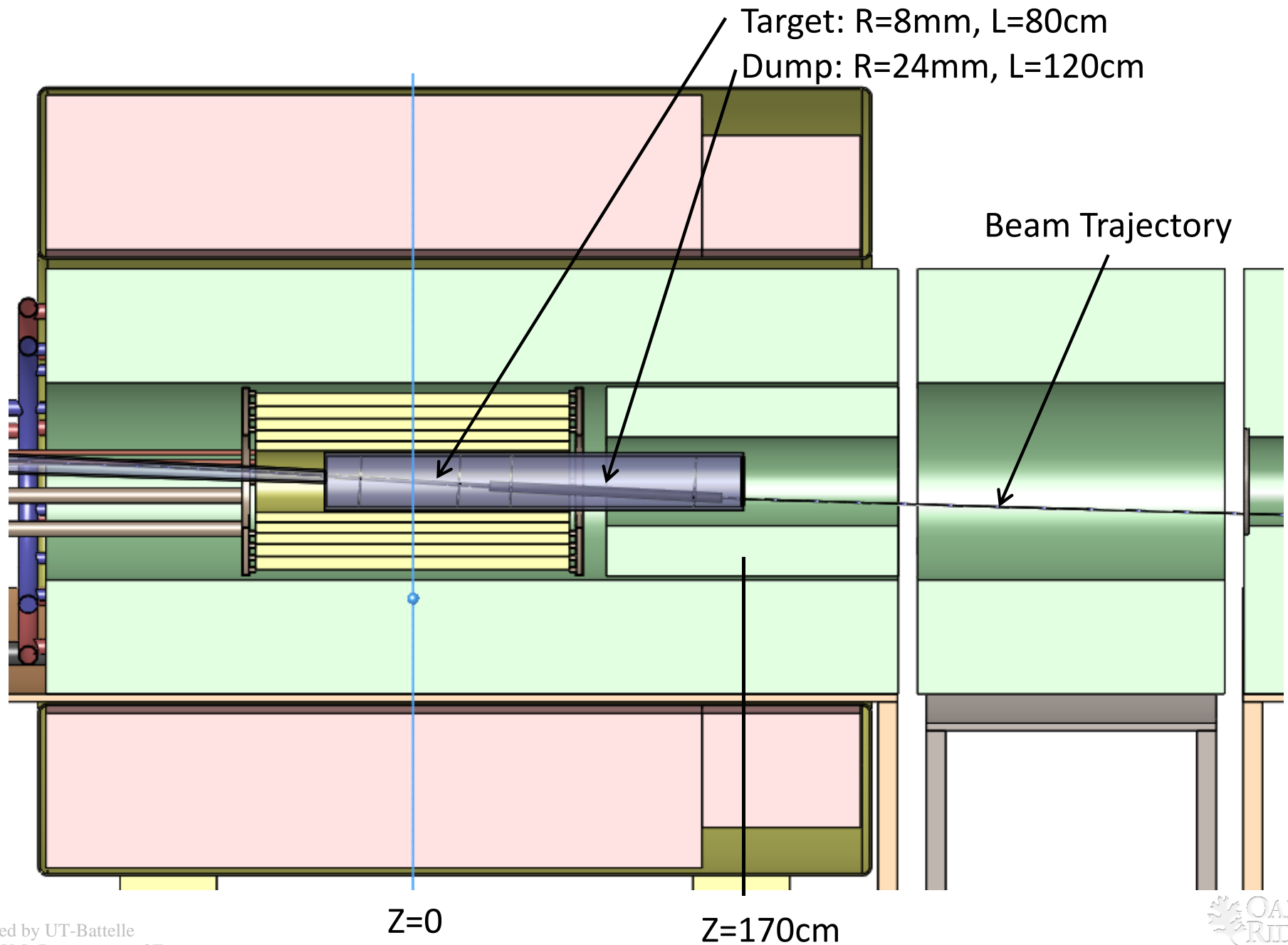
# Target region



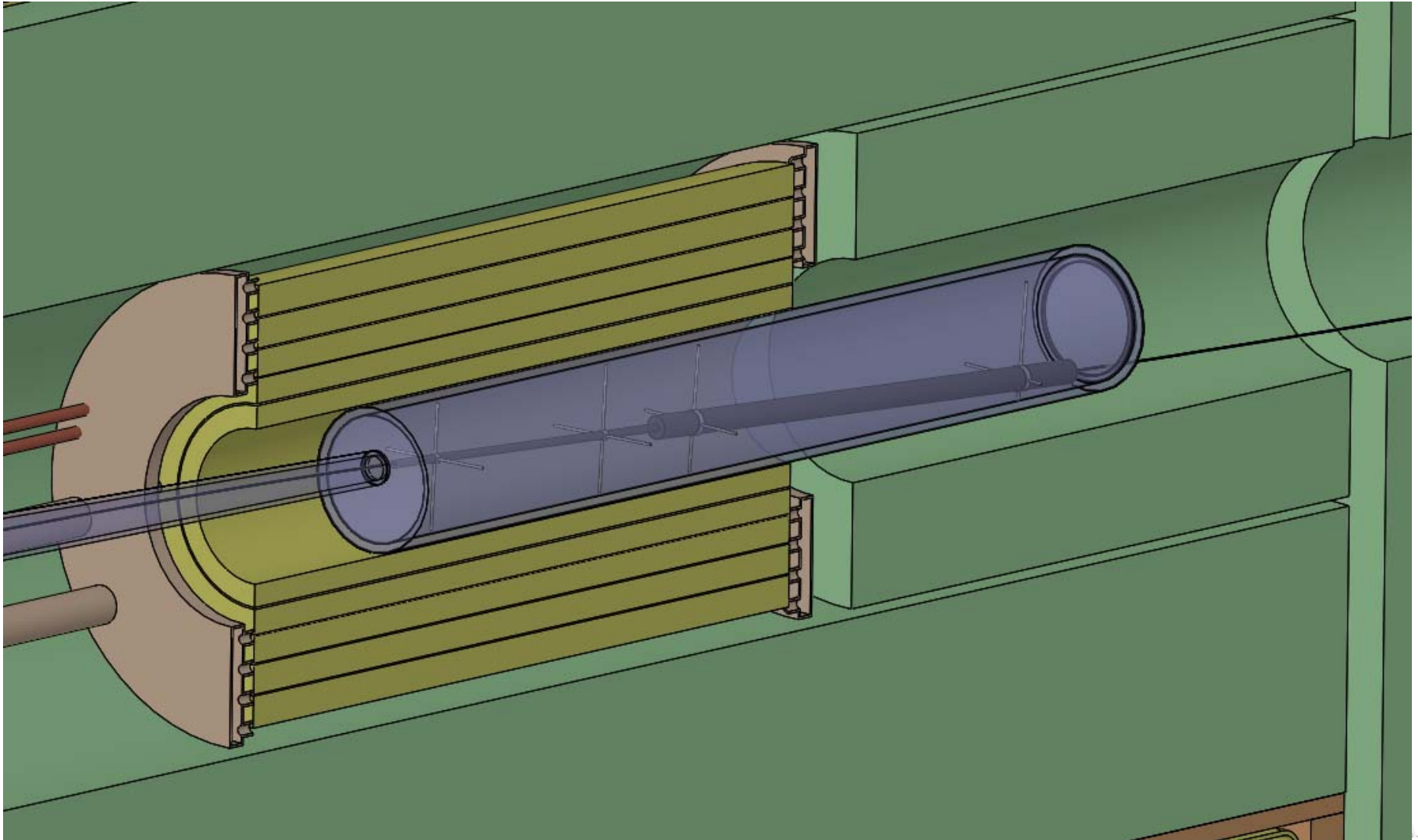
# Elevation view



# Section plane through magnetic axis



# Target chamber



# Shielding module volumes

Module	Volume (m <sup>3</sup> )	Weight (MT)*
1	13.16	152.0
2	0.89	10.3
3	7.45	86.0
4	20.57	237.6
5	11.75	135.7
6	12.61	145.6

\*Assuming density of 19,250 kg/m<sup>3</sup>, packing factor of 60%

