

A Letter of Intent to
The J-PARC 50 GeV Proton Synchrotron
Experiments

**Studies of a Target System for
a 4-MW, 50-GeV Proton Beam**

Steven Kahn, Harold Kirk¹, Robert Palmer, Nicholas Simos, Roman Samulyak,
Peter Thieberger

Brookhaven National Laboratory, Upton, NY 11973 USA

Koji Yoshimura¹

*Institute of Particle and Nuclear Studies, High Energy Accelerator Research Organization
(KEK)*

Yoshitaka Kuno¹

Department of Physics, Graduate School of Science, Osaka University

Changuo Lu, Kirk McDonald¹

Joseph Henry Laboratories, Princeton University, Princeton, NJ 08544 USA

(January 21, 2003)

¹Contact persons

Executive Summary

We propose to perform a proof-of-principle demonstration of a target system based on a free mercury jet, including magnetic focusing/capture of secondary pions/muons, suitable for use in a 4-MW, 50-GeV proton beam as part of a neutrino “superbeam” and/or neutrino factory facility. Such a target system would also be provide higher intensity muon beams for the PRISM project.

The proposed studies emphasize the survival of a prototype target system against issues of single proton pulses: dispersal of the jet target by mechanical “shock” and/or vaporization due energy deposition by the proton beam, and possible damping of these effects by the strong magnetic field of the capture solenoid. A first phase of such studies has been carried out at BNL and CERN, in which the interaction of a mercury jet with a proton beam, and with a 20-T solenoid magnet, have been investigated separately, with encouraging results. Long-term issues of radiation damage and materials fatigue are to be addressed in separate studies.

- The studies proposed here are to be made using small numbers ($\approx 1,000$ total) of intense proton pulses from the 50-GeV ring at J-PARC. (Preliminary studies could also be performed with pulses from the 3-GeV booster ring.)
- A “pulse-on-demand” mode of operation is desired, in which a proton pulse is used at most every few minutes. A higher repetition rate would be useful during beam setup.
- The studies should be carried out in an area suitable for use with primary proton beam, which implies substantial shielding. The small number of beam pulses required should, however, limit the activation of materials to low levels.
- The target system + surrounding (pulsed) 15-T solenoid magnet could occupy as little as 2 m along the beamline. However, a target “cave” of at least 4×4 m² floorspace is more desirable.
- The beam should be focusable to a spot of rms radius 2-3 mm at the target location.
- It is desirable to be able to extract any number from 1 to 9 of the bunches in the J-PARC 50-GeV ring during a single turn; a programmable fast-kicker is required for this.
- The mercury jet is to be about 1-cm diameter, flowing at 10-20 m/sec, entirely within a stainless-steel containment vessel (with beam entrance and exit windows of a higher-strength alloy). Diagnostics of the beam/jet interaction are primarily optical.
- The pulsed magnet is advantageously operated at about 70K to lower the resistance of its copper coils. The coils are cooled by flowing He gas, which is cooled by LN₂ in an external heat exchanger. A LN₂ storage dewar of capacity at least 20,000 liters is required.

- The magnet requires a special power supply, capable of 4-5 MW peak power. This could be a “conventional” power supply (that would require 5 MW (peak) wall power), or it could be a power supply based on an array of batteries (that would require only ≈ 50 kW wall power for a “battery charger”).

Contents

1	The Challenge of High-Power Targetry	1
1.1	The Target Concept	2
1.2	Simulations of Beam + Jet + Magnetic Field	7
1.3	Results of R&D to Date	7
1.3.1	Qualification of Materials for Vacuum Windows	9
1.3.2	Studies of Carbon Targets	10
1.3.3	Beam Studies of a Passive Mercury Target	11
1.3.4	Beam Studies of a Mercury Jet	12
1.3.5	Interaction of a Mercury Jet with a 20-T Magnetic Field	13
2	Proposed Studies of Beam + Mercury Jet + Magnetic Field	15
2.1	The 15-T Pulsed Magnet Test Facility	16
2.1.1	Conceptual Design of the 15-T Liquid-Nitrogen-Precooled Pulsed Magnet	17
2.1.2	The 15-T Pulsed Magnet Coil Package	20
2.1.3	The 15-T Pulsed Magnet Cooling System	21
2.1.4	The 15-T Pulsed Magnet Power Supply	23
2.2	Possible Siting of the 15-T Pulsed Magnet Facility at BNL	23
2.3	Request for J-PARC Facilities	24
3	References	26

1 The Challenge of High-Power Targetry

Intense proton sources, such as the J-PARC 3-GeV booster synchrotron and 50-GeV synchrotron, pose significant challenges for targets placed in the proton beam, particularly for future upgrades to beam powers of several MWatt. The physics opportunities associated with such intense proton sources are so rich that the challenges must be met. These opportunities include:

- Studies of neutrino oscillations with long baseline neutrino beams both from pion decay [1] and from muon decay [2, 3].
- Studies of rare processes initiated by muons [3].
- Studies of materials with neutrons beams from a spallation source [4].
- Accelerator production of tritium [5].
- Accelerator transmutation of waste [6].
- Accelerator-based fusion [7].

The technical challenges for targets in high-power proton beams are threefold:

- Survival of components against melting/vaporization.
- Survival of components against beam-induced pressure waves, in the case of pulsed proton beams.
- Survival of components against radiation damage.

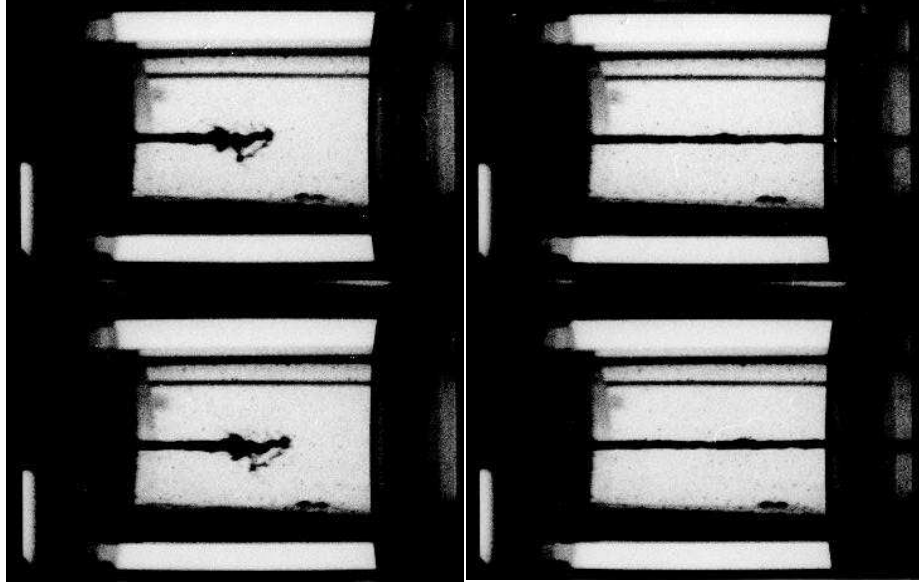
Passive solid targets (or rotating-wheel targets), typically water cooled, have been used in most applications with less than 1-MW beam power. But for beam power in excess of 1 MW such passive solid targets become very problematic in view of the challenges listed above. This has led to consideration of flowing liquid targets: mercury, molten lead, molten Pb/Bi, *etc.*

Liquid target systems still require solid-walled containment vessels and beam windows that isolate the target region from the rest of the accelerator complex. Experience has shown that if a liquid target is confined inside a metal pipe in the region of the interaction with a pulsed proton beam, then the beam-induced pressure waves can cause pitting (associated with cavitation during the negative-pressure phases of the waves) and possible failure of the solid wall [8, 9, 10].

Such concerns indicate that it would be preferable to have a flowing liquid target be a free jet, at least in the region of interaction with the proton beam.

A benchtop demonstration of a free mercury jet was made in 1988 by Johnson [11], as shown in Fig. 1. However, this prototype jet target was never exposed to a proton beam.

During a conceptual study for a $\mu \rightarrow e$ conversion experiment [12], it was realized that surrounding the target by a high-field solenoid magnet (a kind of magnetic bottle) is very effective in maximizing the yield of low-energy secondary pions and muons. This scenario



High-speed photographs of mercury jet target for CERN-PS-AA (laboratory tests)

4,000 frames per second, Jet speed: 20 ms⁻¹, diameter: 3 mm, Reynold's Number:>100,000

A. Poncet

Figure 1: Photographs of a 3-mm-diameter mercury jet.

is also very relevant for a muon collider [13] and for a neutrino factory based on a muon storage ring [3, 14].

The present Letter of Intent is for a full-scale test of this target concept, in which a mercury jet flows through a 15-T (pulsed) solenoid magnet while interacting with intense proton pulses extracted from the J-PARC 50-GeV synchrotron.

1.1 The Target Concept

Sketches of the target concept [14] are shown in Fig. 2.

A continuous mercury jet crosses a proton beam at an angle of about 40 mrad so that the interaction region is approximately two interaction lengths.

The axes of both the proton beam and mercury jet all tilted with respect to the axis of the solenoid magnet by about 100 mrad, which improves the yield of soft pions at large angles, and permits the noninteracting part of the proton beam to be absorbed in the collection pool of mercury.

The magnetic field is large (≈ 20 T) at the interaction region, but falls off to ≈ 1 T over several meters, which field strength is then maintained in the subsequent pion decay channel.

The magnetic field profile over the interaction region is improved by use of an iron plug at the upstream end of the magnet, through which the proton beam and flowing mercury must pass.

If the solenoid field is over 14 T, a hybrid construction must be used, with a 14-T

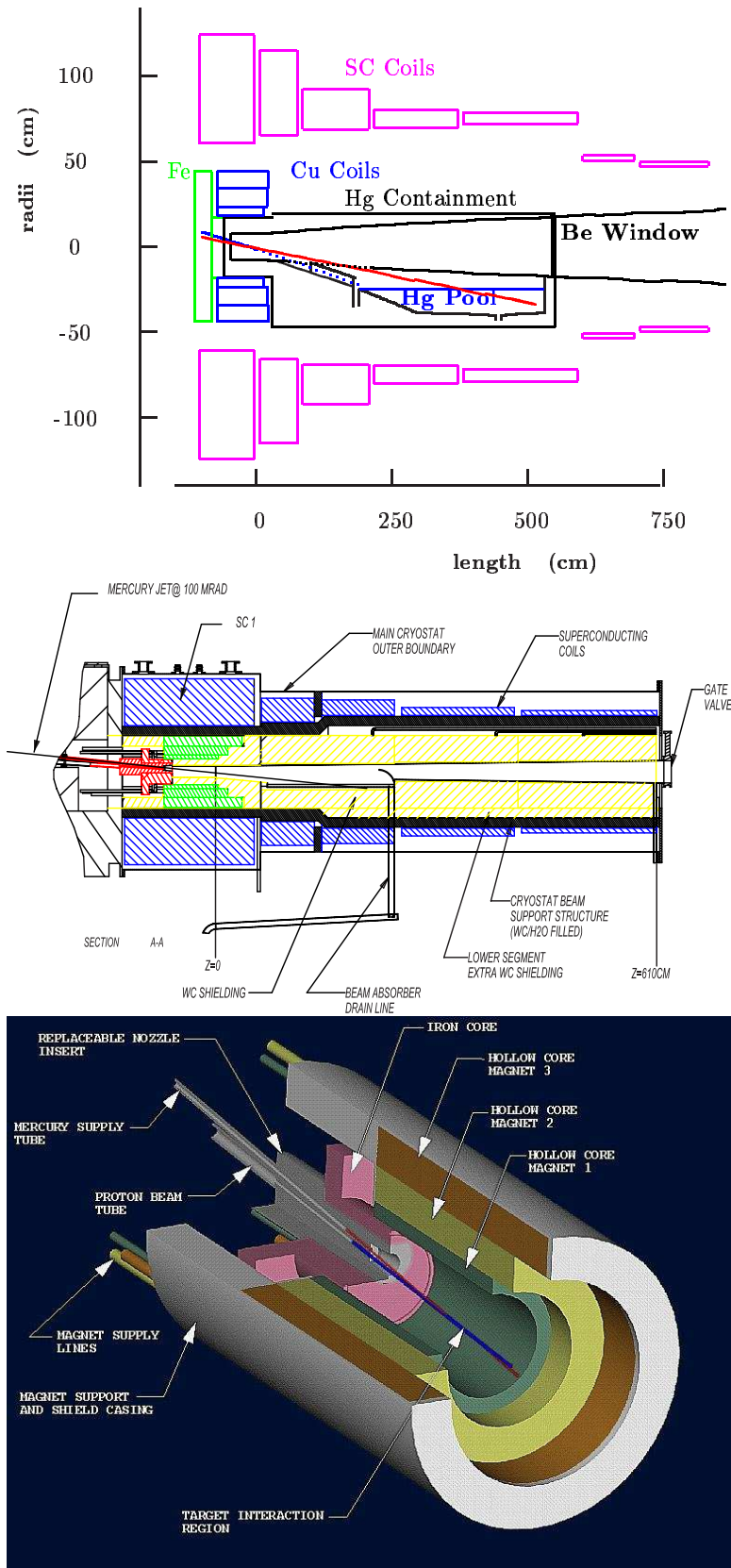


Figure 2: Sketches of the concept of a 4-MW target system in which the proton beam and a mercury jet interact at an angle to the axis of a 20-T solenoid magnet.

superconducting outer coil plus a, say, 6-T inner copper coil that serves also as a radiation shield for the superconducting coil.

The entire assembly of inner coil, iron plug, mercury collection pool and downstream beam window is to be replaceable via remote-handling equipment, as the lifetime of these components is estimated to be only about 15 MW-years.

Representative simulations [15] in support of this target concept, based on the MARS Monte Carlo code [16], are shown in Fig. 3.

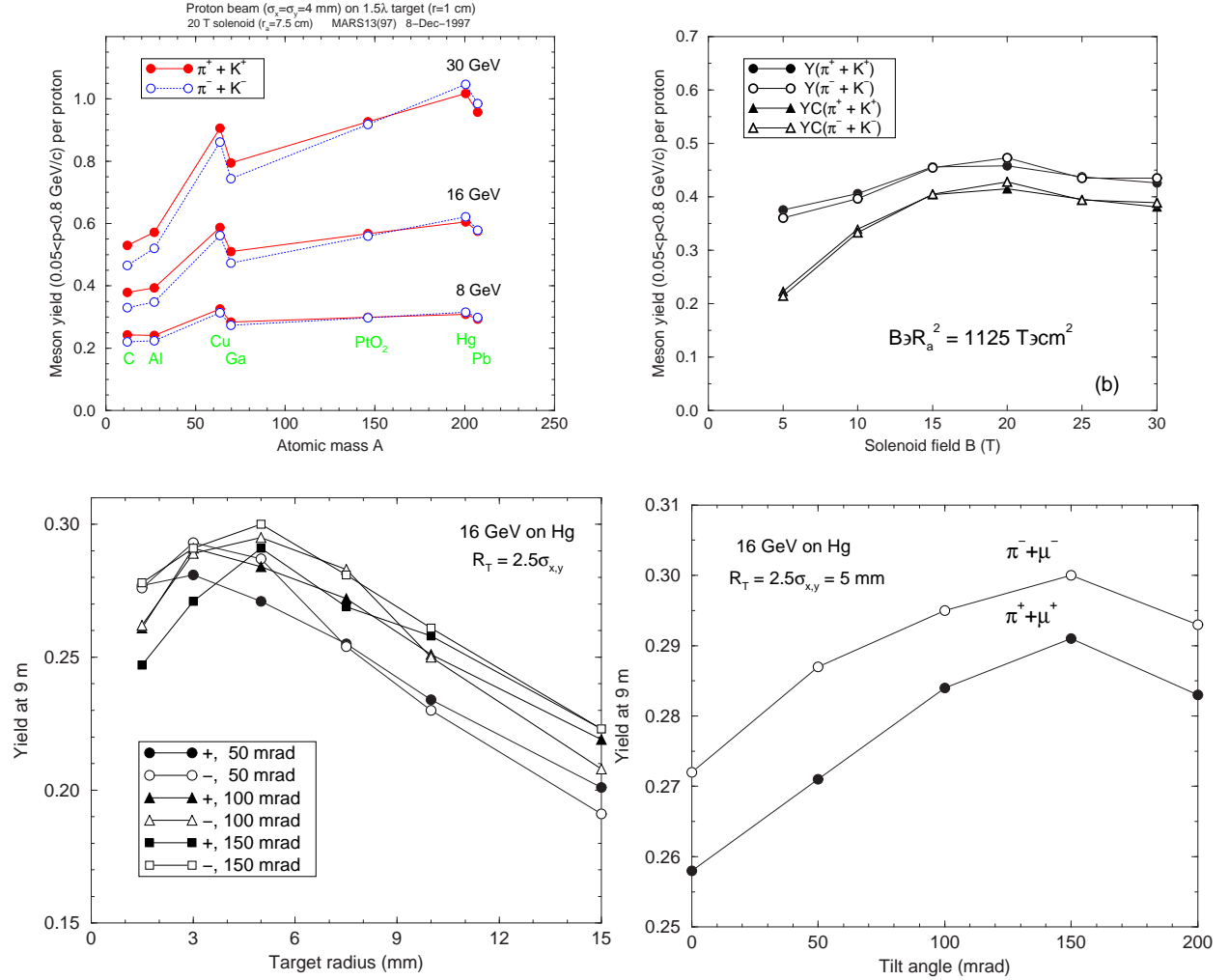


Figure 3: a) Meson yield ($\pi + K$) from a $1.5\lambda_I$, 1-cm-radius target irradiated with 8, 16 and 30-GeV proton beams as a function of target atomic mass; b) Meson yield from a $3\lambda_I$, 1-cm-radius gallium target tilted at angle 150 mrad in a 16-GeV proton beam *vs.* solenoid field strength for a fixed adiabatic invariant BR_a^2 ; c) Meson yield as a function of target radius; d) Meson yield *vs.* tilt angle between the axis of the capture solenoid and the proton beam.

The simulations indicate that the useful yield of soft pions and muons is improved by

- a) The use of a high- Z target material, if the proton beam energy is more than 8 GeV.

- b) The use of a capture solenoid field of 15-20 T.
- c) The use of a relatively narrow target, 5 mm radius, with RMS proton beam radius of 2 mm.
- d) Tilting the beam and jet axis with respect to the magnetic axis by 100-150 mrad.

Simulations have also been made of radiation dose in target system components, to assess lifetime issues. Figure 4 shows a representative result from the MARS calculation [17], and Table 1 indicates the inferred lifetimes against radiation damage of a few key components.

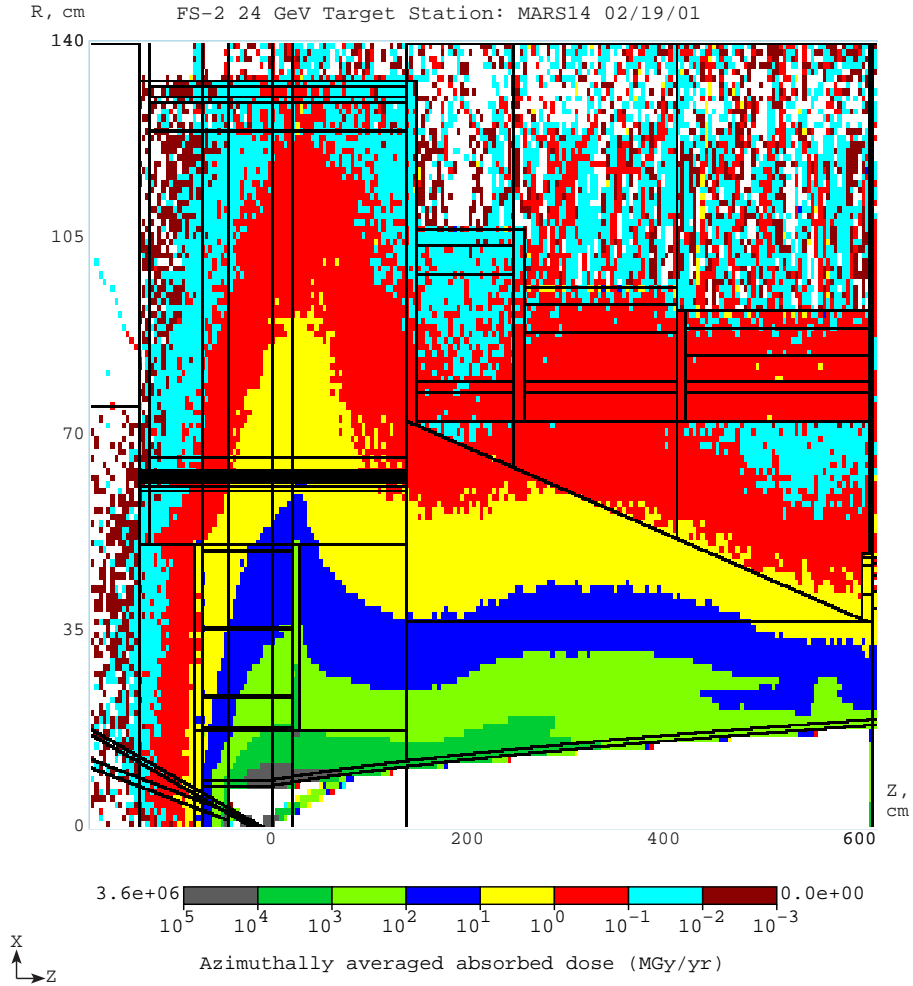


Figure 4: Absorbed radiation dose per year of 2×10^7 s and a 1-MW proton beam in the target system for $2 < z < 6$ m and $r < 1.4$ m [17].

Preliminary studies have also been made of a support facility for the target system [18], including remote handling equipment and hot cells for processing of activated mercury. Figure 5 sketches the overall concept of the support facility.

Table 1: Estimated lifetime against radiation damage for key components of the target system [14].

Component	Radius (cm)	Dose/yr (Grays/ 2×10^7 s)	Max allowed Dose (Grays)	1 MW Life (years)	4 MW life (years)
Inner shielding	7.5	5×10^{10}	10^{12}	20	5
Hg containment	18	10^9	10^{11}	100	25
Hollow conductor coil	18	10^9	10^{11}	100	25
Superconducting coil	65	5×10^6	10^8	20	5

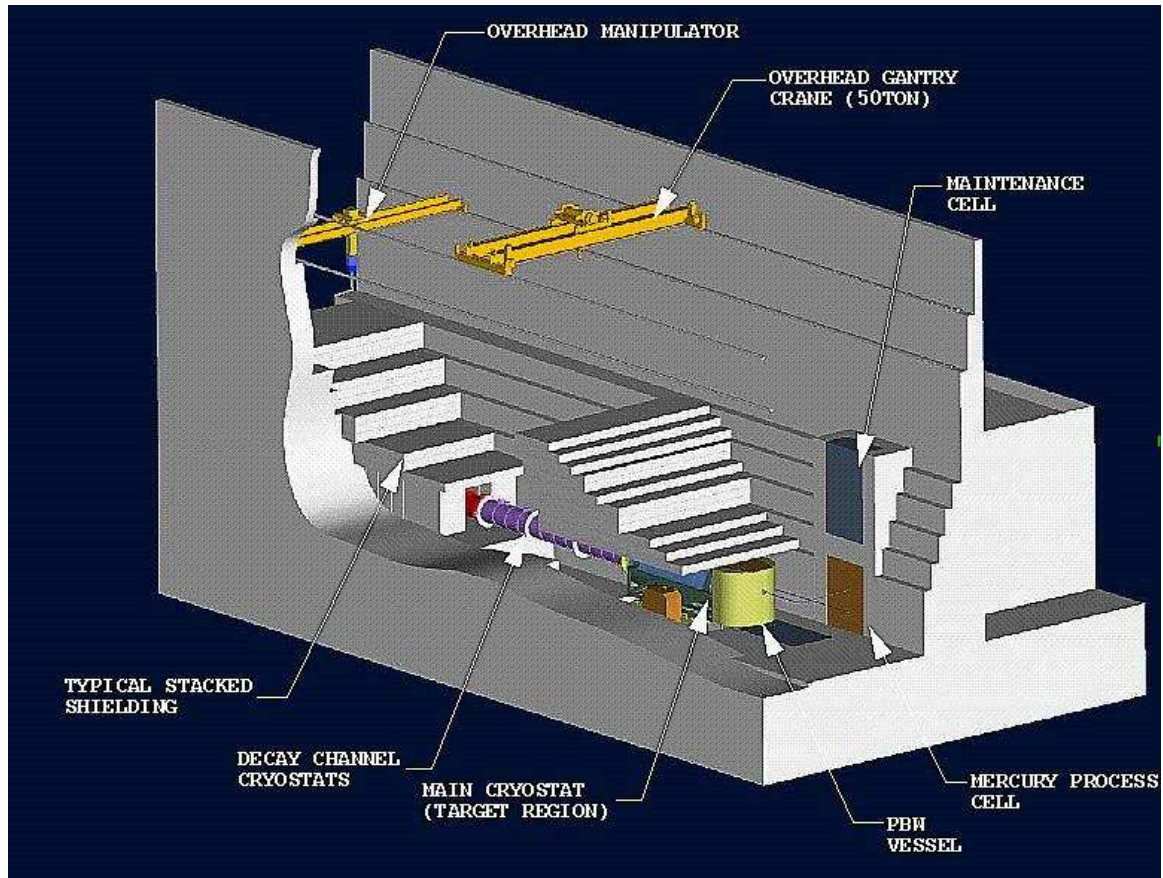


Figure 5: Concept of the target system support facility [18].

1.2 Simulations of Beam + Jet + Magnetic Field

The simulations and studies of the high-power target system described in the preceding section involved reasonably straightforward extrapolation of the experience of the high-energy and nuclear physics community.

However, there are two key issues related to the proposed use of a liquid jet target which appear to be slightly beyond the present state of the art in simulations:

- To what extent will the jet disperse due to rapid energy deposition by an intense proton pulse?
- To what extent will magnetic forces perturb the flow of the jet into the magnet and affect the possible dispersal of the jet by the beam?

Simple analytic models [19, 20] suggest cautious optimism that the beam-jet-magnet interaction is benign enough to be the basis of a production facility. Yet, there is clear need for more detailed simulation, and for experimental validation of our understanding.

Good progress is being made on a finite element analysis of a mercury jet with a free surface, in a magnetic field, subject to rapid internal energy deposition by a proton beam. The magnetohydrodynamic analysis must include a suitable equation of state that supports a limited regime of elastic behavior of a liquid under negative pressure, before cavitation occurs.

An important qualitative effect that must be well simulated is the apparent reduction of the speed of sound in a liquid that occurs shortly after a pulse of energy is deposited [21].

Preliminary results [22] of the incorporation of an equation of state that supports cavitation in the FEA code FronTier [23] are very encouraging in simulating the observed behavior of proton-mercury interactions that is reported in sec. 1.3.4. Figure 6 illustrates results of these simulations.

When a magnetic field is included in the simulation, it appears that the breakup of a mercury jet is suppressed by the magnetic “pressure” on the conducting liquid, as shown in Fig. 7. Such suppression will be more pronounced if the speed of sound is indeed reduced in the interaction region of the beam with the jet.

The magnetic pressure is also expected to suppress the breakup of the jet caused by surface tension (Rayleigh [24]) instabilities [25].

Thus, it is very encouraging that the magnetic field, whose original purpose was to enhance the yield of useful secondary particles from the target, also serves to stabilize the operation of a liquid target.

1.3 Results of R&D to Date

The concerns as to the viability of high-power targets for use at a neutrino factory or muon collider have led to an R&D program of international scope. The present Letter of Intent seeks to enhance the collaboration between Japan and the USA in these efforts..

The targetry activities in the USA are largely focused on the experiment E-951 [26] at Brookhaven National Laboratory. Activity in Europe has been primarily at the CERN/ISOLDE facility [27] and at the Grenoble High Field Magnet Laboratory [28]. Activity in Japan has

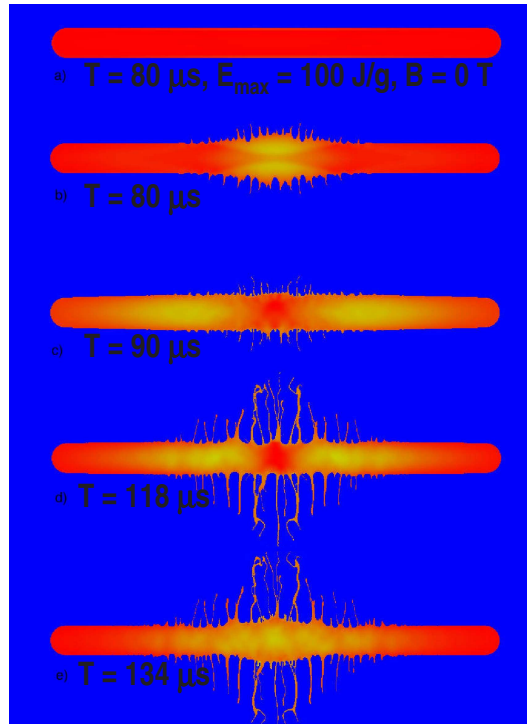


Figure 6: FronTier simulation of a 1-cm-diameter mercury jet in zero magnetic field subject to instantaneous energy deposition at time $t = 0$ with a Gaussian spatial profile peaked at 100 J/gm [22]. The equation of state of mercury supports a reduced velocity of sound, such that the transit time across 1 cm is 40 μ sec rather than the nominal 6 μ sec.

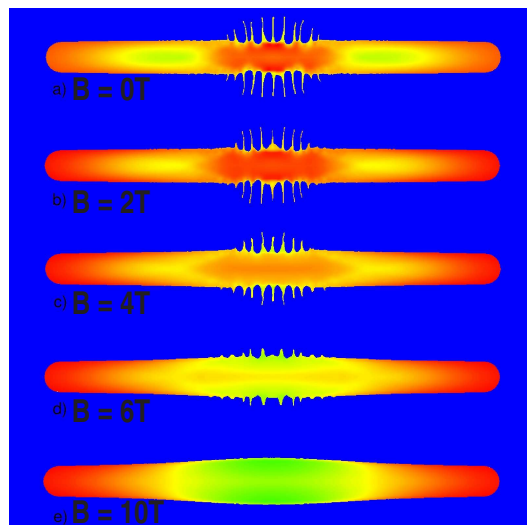


Figure 7: FronTier simulations of a mercury jet at time $t = 100 \mu$ sec after initial energy deposition as in Fig. 6, but immersed in various magnetic field parallel to the jet axis [22].

largely been in the context of conceptual studies for targets for future neutrino beams [1] and for muon storage rings [3].

Here, we briefly survey some of the results of this ongoing R&D program

1.3.1 Qualification of Materials for Vacuum Windows

Before performing studies of the interaction with mercury targets with a proton beam, it was necessary to qualify the windows of the mercury containment vessel against possible beam-induced failure. Therefore, candidate windows of aluminum, inconel 708, havar (another high performance steel alloy) and the titanium alloy Ti90Al6V4 were exposed to 100-ns-long pulses of up to 5×10^{12} 24-GeV proton at the BNL AGS.

Pairs of windows were mounted on each face of a double-sided Conflat flange, and the enclosed volume was evacuated. A view of the window test setup is shown in the left side of Fig. 8.

The primary measure of window reliability was that the window-pair unit held vacuum after exposure to the proton beam. All of the candidate windows passed this test.

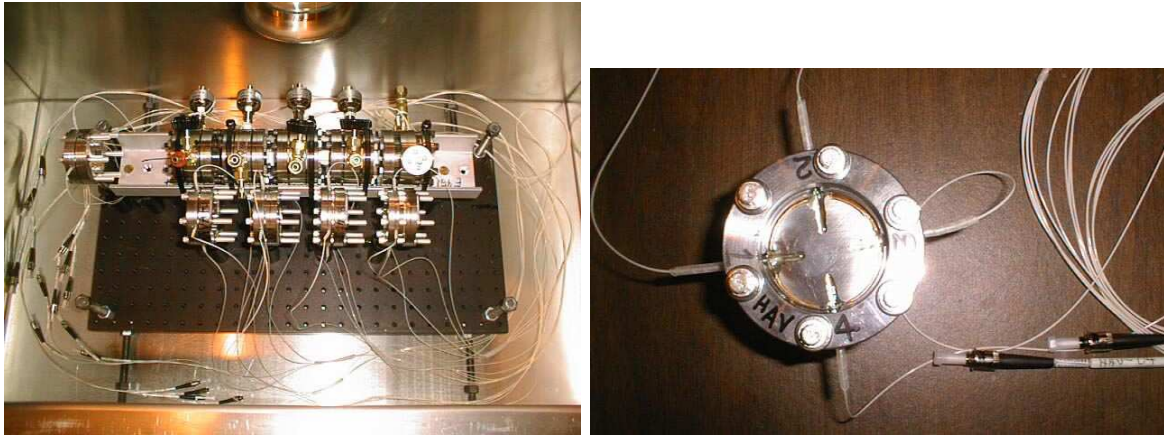


Figure 8: The E951 window qualification setup (left), and a havar window instrumented with four fiberoptic strain sensors (right).

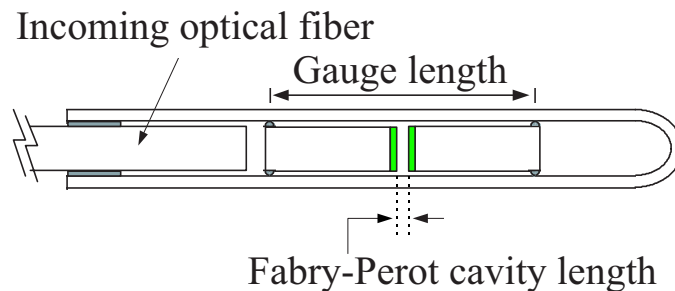


Figure 9: Construction of the Fabry-Perot fiberoptic strain sensors.

To obtain additional information as to window performance when struck by the proton beam, many of the windows were instrumented with four fiberoptic strain sensors [29]. This technology was chosen because of its immunity to rf interference created by the proton pulses, and because of their frequency response up to about 500 kHz. The construction of the strain sensors is shown in Fig. 9, and their arrangement on a havar window is shown in the right side of Fig. 8.

Figure 10 shows a comparison between the observed strain in an aluminum window, and an ANSYS model calculation [30, 31]. There is reasonable agreement between data and simulation for both the lower frequency radial strain waves and the high frequency axial waves in the thin windows.

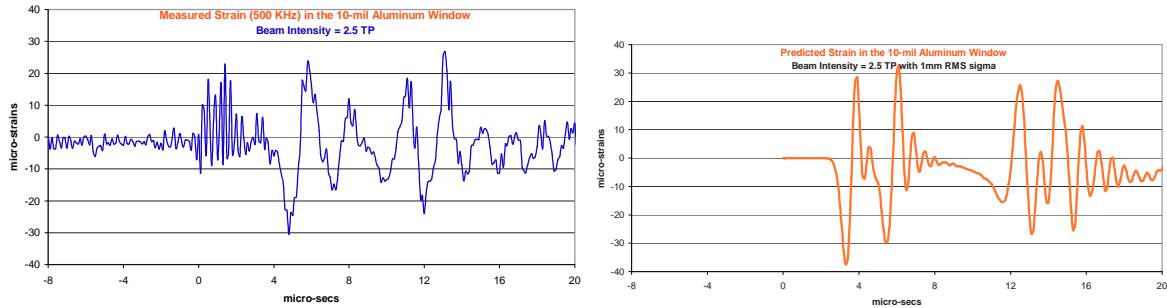


Figure 10: Comparison with observed transient strains in an aluminum window (left) with ANSYS calculations (right) [30, 31].

1.3.2 Studies of Carbon Targets

Carbon is probably the best candidate material for a passive solid target in a high-power application because it retains its mechanical integrity to very high temperature, and because the yield of secondary particles per power absorbed in the target (in contrast to yield per beam power) is higher than for high- Z materials.

Two types of studies of carbon targets have been conducted in the context of BNL experiment E951: the possible advantage of carbon-carbon composites, and the possible suppression of carbon sublimation by operation in a helium atmosphere.

The amplitude of the pressure waves induced in a target by an intense proton pulse is proportional to the coefficient of thermal expansion, according to the simple model that the energy deposited by the beam quickly raises the target temperature, which causes a rapid expansion = the pressure wave.

Graphite fibers have a very nonisotropic coefficient of thermal expansion. Indeed, the axial coefficient is very small and slightly negative. Certain so-called carbon-carbon composites are manufactured with a 3-dimensional weave designed to provide a near-zero, essentially isotropic coefficient of thermal expansion. If this desirable behavior holds in the presence of energy deposited by a proton beam, the carbon-carbon targets could be largely immune to effects of beam-induced pressure waves.

Beam tests [31, 32] of an ATJ graphite rod (typical of those used in nuclear reactors) and of a low-expansion coefficient carbon-carbon composite indicated that the strains were

a factor of five smaller in the latter material, as shown in Fig. 11.

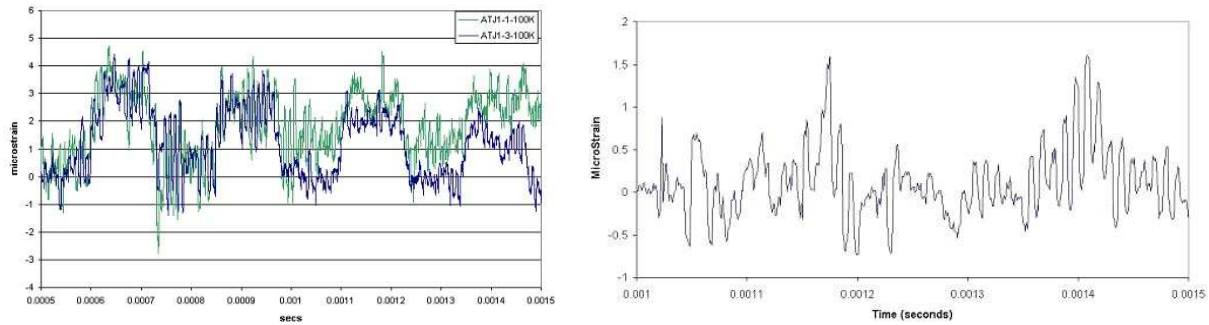


Figure 11: Strains measured in graphite targets exposed to 24-GeV proton pulses. Left: ATJ graphite; right: a carbon-carbon composite [31, 32].

To maintain good collection of low-energy secondary particles from a carbon target, the target should not be in mechanical contact with any other structure such as a cooling unit. That is, radiation cooling should be used. This leads to operation at very high temperatures, perhaps 2400C in case of a 4-MW proton beam. If the carbon target were operated in vacuum, its lifetime against sublimation at that temperature would be only a day or two.

It is anticipated that if the carbon target is operated in helium at one atmosphere, the rate of sublimation will be reduced by at least two orders of magnitude [33]. Studies are underway at Oak Ridge National Laboratory to confirm this desirable behavior [34].

1.3.3 Beam Studies of a Passive Mercury Target

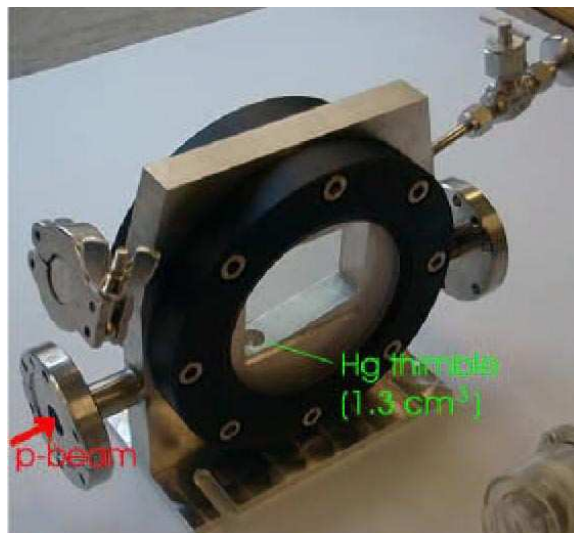


Figure 12: View of the passive mercury target. The mercury was contained in the “thimble” = cylindrical well visible at the left side of the circular viewport. The proton beam entered from the left through the Conflat flange.

The first studies of E951 of the interaction of a proton beam with a mercury target were performed with a passive “thimble” of mercury, 1.0 cm in diameter, 1.5 cm high, shown in Fig. 12. High-speed shadow photography of the interaction of the mercury “thimble” with proton beams at BNL and at CERN/ISOLDE [35, 36, 37] showed that the beam disperses the mercury with velocities proportional to the total energy in the beam pulse, an example of which is shown in Fig. 13. The velocities ranged from 10 to 50 m/sec in the studies performed, so that the impact of the mercury droplets with the walls and windows of the containment vessel was nondestructive.

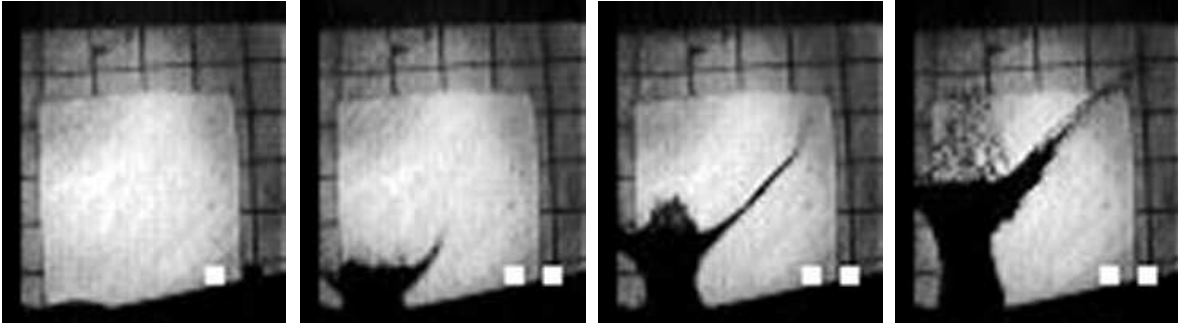


Figure 13: Exposures of $25 \mu\text{s}$ at $t = 0, 0.5, 1.6, 3.4$ msec after a mercury “thimble” 1.0 cm in diameter and 1.5 cm deep was struck by a pulse of 2×10^{12} 24-GeV protons.

At the CERN/ISOLDE facility it was possible to send a pair of proton pulses into the “thimble” with intervals between the pulses ranging from 0.5 to $8 \mu\text{sec}$. The dispersal velocity of the mercury in the case of two pulses was greater than that for one pulse provided that the time interval between the pulses was less than $3 \mu\text{sec}$ [37].

1.3.4 Beam Studies of a Mercury Jet

A free mercury jet, 1 cm in diameter with velocity 2.5 m/s, was constructed as in Fig. 14 and exposed to 24-GeV proton pulses at BNL [35, 36, 37]. High-speed photography (Fig. 15) showed that the velocity of dispersal of the mercury was about one half that in the case of the “thimble” target, for the same proton pulse intensity. The higher dispersal velocity in the case of the “thimble” occurs because the reflections of the pressure wave off the steel wall of the thimble are stronger than those off the free surface of the mercury jet.

An important qualitative result is that the dispersal of the mercury by the proton beam was confined to the region of overlap of the beam with the jet. The pressure waves inside the mercury jet did not appear to propagate along the jet. This suggests that the nozzle which produces the mercury jet can be located close to the interaction region without being damaged by the pressure waves in the mercury.

Another noteworthy result, obtained by photography with $1\text{-}\mu\text{sec}$ exposures, is that the visible onset of the dispersal of the mercury occurred about $40 \mu\text{sec}$ after the proton pulse. This contrasts with a time of only $3\text{-}4 \mu\text{sec}$ for a sound wave to reach the surface of the jet, if the speed of sound is the nominal 1500 m/sec. This results supports the interpretation of

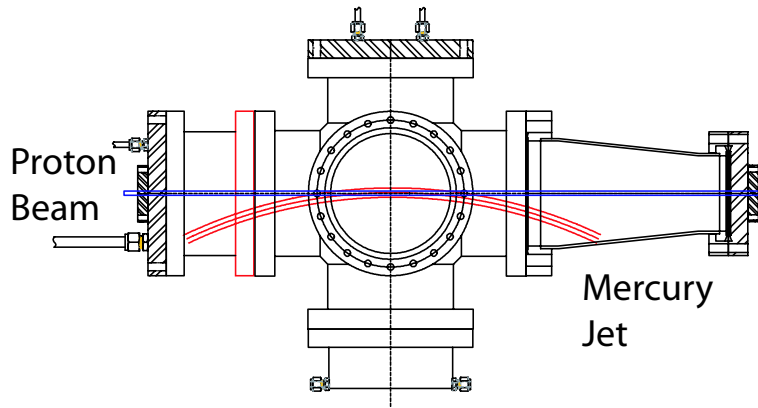


Figure 14: Side view of the apparatus to produce a 1-cm diameter mercury jet with velocity 2.5 m/s whose trajectory overlapped with the BNL proton beam for about 10 cm.

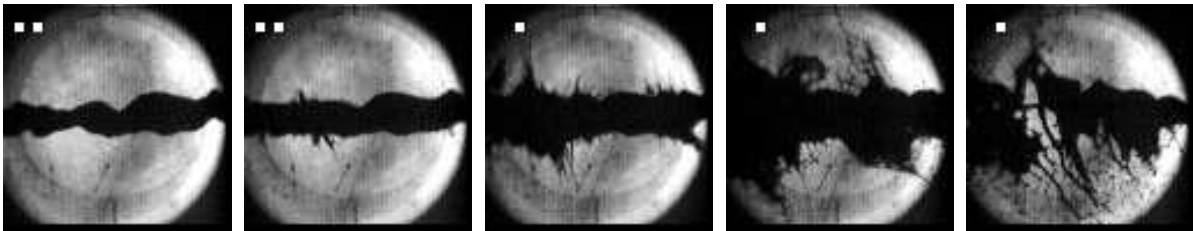


Figure 15: Exposures of $25 \mu\text{s}$ at $t = 0, 0.75, 2, 7, 18$ msec after a 1-cm diameter mercury jet was struck by a pulse of 2×10^{12} 24-GeV protons.

a study of proton beam interactions with a closed vessel of mercury [21] that the speed of sound in mercury is temporarily reduced after interacting with an intense pulse of protons.

In the beam studies conducted to date, the energy deposition was insufficient to raise the temperature of the mercury to its boiling point. However, pulses of order 10^{14} protons, as foreseen in 4-MW beams, would be sufficient to do so. This will, in general, provide additional means of dispersal of the mercury, which is being studied via simulations at present [38], but deserves further laboratory study as well.

1.3.5 Interaction of a Mercury Jet with a 20-T Magnetic Field

Studies of a mercury jet of 4-cm diameter and 12 m/sec velocity have been made in magnetic fields up to 20 T at the Grenoble High Field Magnet Laboratory, with the setup sketched in Fig. 16 [37]. The axis of the jet could be tilted with respect to the axis of the magnet between 0 and 100 mrad.

Based on high-speed shadow photography, as shown in Fig. 17, a field of 20-T stabilized the surface perturbations of the jet, a very desirable result. The dispersal of the jet by a proton beam may also be reduced or suppressed by a strong magnetic field, if the speed of sound in mercury is reduced by the proton beam, evidence for which was mentioned in the previous section.

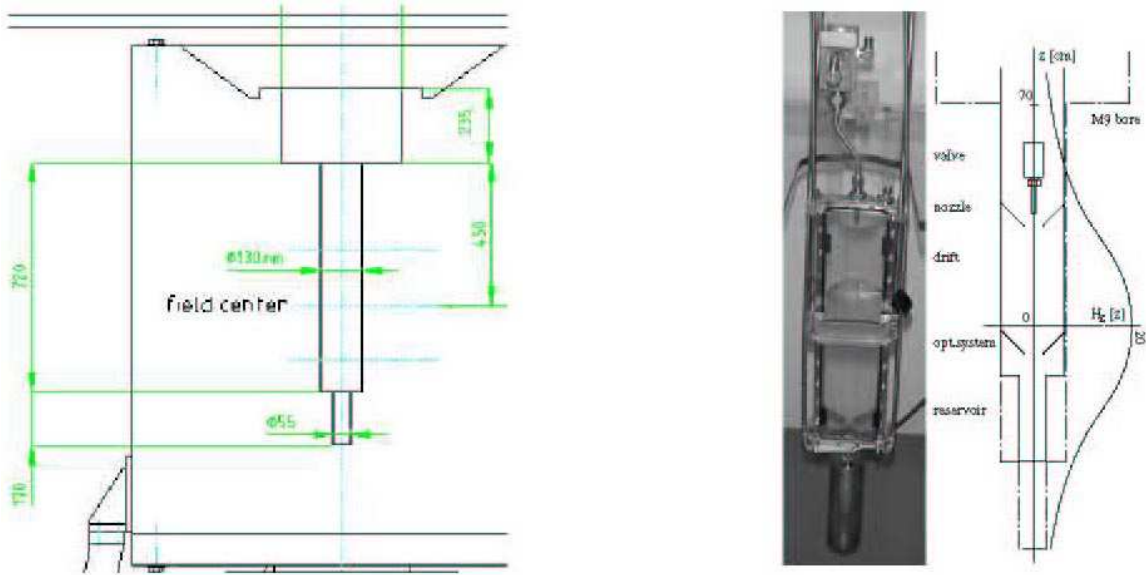


Figure 16: Left: Vertical section through the 20-T, 13-cm-diameter bore of the M9 solenoid magnet at the Grenoble High Field Magnet Laboratory [28]. Right: The apparatus inserted into the M9 magnet bore that included a mercury jet and a mirror system to permit high-speed shadow photography [37].

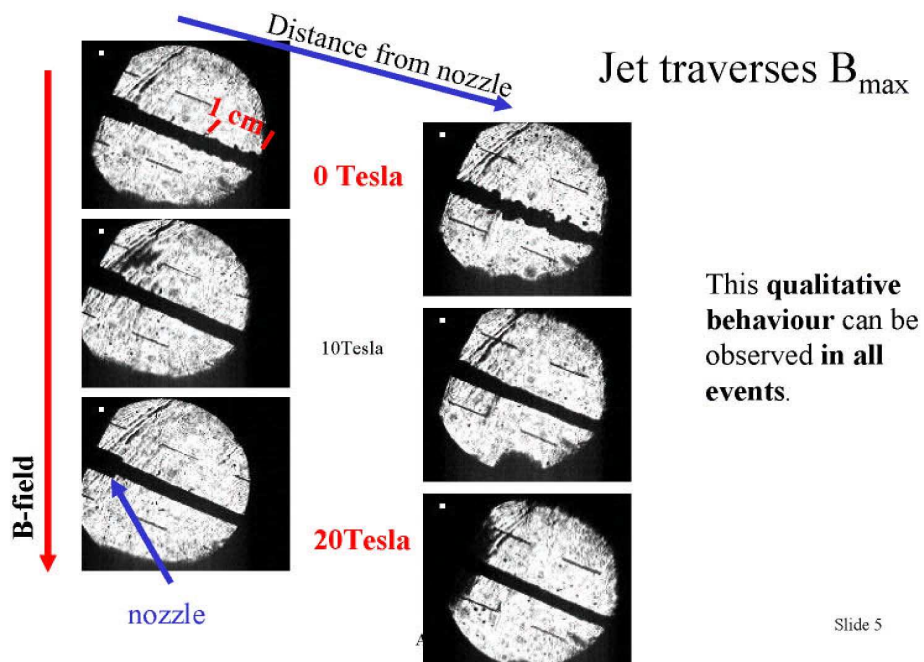


Figure 17: High-speed shadow photographs of a mercury jet of 4-mm-diameter and 12 m/sec velocity in magnetic fields of 0, 10 and 20 T [37]

The 4-mm-diameter jet was able to enter the magnetic field, both at 0 and 100 mrad to the magnetic axis, without noticeable deflection, although the overall jet velocity was reduced somewhat (as expected from eddy current effects [20]). Since the deflections due eddy-currents grow as the square of the jet diameter, they will be about six times stronger in the case of a 1-cm-diameter jet, which deserves further study.

2 Proposed Studies of Beam + Mercury Jet + Magnetic Field

The studies of components of a mercury jet target system, described briefly in sec. 1.3, are very encouraging, and suggest that a system test in a near-prototype configuration is the next step for high-power targetry R&D.

Keys results from the mercury target studies to date include:

- A mercury jet is dispersed by an intense proton pulse in a nondestructive manner, at low velocities proportional to the pulse intensity.
- The region of dispersal of the mercury jet is largely limited to the region of overlap with the proton beam. The pressure waves that cause the dispersal do not appear to propagate along the axis of the jet.
- The onset of dispersal is delayed with respect to the proton pulse by a time which suggests that the velocity of sound in mercury is temporarily reduced by the energy deposition of the proton pulse.
- A strong magnetic field stabilizes the surface perturbations of the jet.
- Small-diameter jets can enter a strong magnetic field without significant deflection, although the longitudinal velocity of the jet is reduced.

Based on the above results, we propose a second round of high-power target studies whose primary goal is:

- ▷ A proof-of-principle demonstration of a mercury jet target in a strong solenoid magnet with proton pulses appropriate for a multimegawatt source.

Subsidiary goals in support of the primary goal include:

- ▷ Studies of a 1-cm-diameter mercury jet entering a 15-T solenoid magnet at various velocities and angles.
- ▷ Studies of dispersal of the mercury jet by pulses due to both pressure waves and vaporization.
- ▷ Studies of magnetic suppression of the dispersal of mercury by proton pulses.

To realize these goals, we propose that a mercury target station with a 15-T solenoid magnet be constructed in a J-PARC 50-GeV fast-extracted beam. Key features of this target station include:

- ★ Use of a 1-cm-diameter mercury jet that overlaps with the proton beam for at least 30 cm.
- ★ Use of a 15-T, 15-cm-diameter warm-bore magnet, whose axis can be tilted with respect to the beam/jet axis by 0-150 mrad.
- ★ Use of pulses of 50-GeV protons of up to 4×10^{13} each, with the option to extract a train of up to all 9 pulses of the J-PARC main ring.

An important restriction to the goals of the proof-of-principle demonstration is that it does not address issues of long-term survival of the target system. Rather, it will demonstrate full functionality of the system on a pulse-by-pulse basis, with a total of only about 1,000 beam pulses.

The proposed target test station is an addition to the research program described in the Letter of Intent “Request for a Pulsed Proton Beam Facility at J-PARC” [39].

2.1 The 15-T Pulsed Magnet Test Facility

The essential concept of the present Letter of Intent is the combination of an intense proton beam, a mercury jet target, and a high-field solenoid magnet in a single facility.

The solenoid magnet for this facility is a cost driver, so careful consideration must be given to its specifications: field strength, choice of magnet technology, including DC *vs.* pulsed operation.

As shown in Fig. 3b, the yield of low-energy secondary pions and muons improves with the field strength up to 20 T in a suitably designed solenoid-magnet capture system. However, the technology of large superconducting magnets is presently limited to about 14 T, so a 20-T magnet capture solenoid would be a hybrid system with a 14-T superconducting coil and a 6-T water-cooled copper coil [14]. The small gain in secondary particle yield in a 20-T system compared to a 14-T system may not justify the extra and expense of a hybrid technology solution.

Hence, we consider that 14-T operation is a suitable goal for the proof-of-principle target and capture system.

Further, the proof-of-principle demonstration that we desire to perform is not one of magnet technology, but rather of the operation of a system of magnet + mercury jet + beam. We propose to use the most cost effective technology capable of providing 14-15 T over a warm bore 1 m long and 15 cm in diameter during the proton pulses.

The strength of the interaction of the magnetic field B with the mercury jet scales at B^2 for most effects [20]. Hence, use of a 5-T magnet for the proposed tests would imply an order-of-magnitude extrapolation beyond the data collected to reach the regime appropriate for a production target facility. We consider that a “proof-of-principle” demonstration has not been made if an order-of-magnitude extrapolation remains. Use of a 10-T magnetic field would leave a factor of two extrapolation; only if budget realities exclude the construction of a 15-T magnet, would we consider this option. In sum, 15-T is the appropriate magnetic field strength for the proposed proof-of-principle demonstration experiment.

Since the scope of the demonstration is to validate the high-power target concept on a pulse-by-pulse basis, the magnet for this demonstration could be a pulsed magnet. (Of course, a 15-T pulsed magnet is not a realistic option for an eventual production facility).

These considerations have led us to propose use of a 15-T pulsed magnet system whose design equalizes the costs of the three main system components (at \$500-600k each):

1. The pulsed magnet coils.
2. The magnet cooling system.
3. The magnet power supply.

Some details of these subsystems will be given in the following subsections.

Diagnostics of system performance will be primarily optical, based on high-speed shadow photography as described in secs. 1.3.3-1.3.5. Details of the optical instrumentation would be similar to that sketched in Fig. 16 (although the magnet axis will be horizontal in the proposed studies, in contrast to the vertical axis of the Grenoble M9 magnet).

2.1.1 Conceptual Design of the 15-T Liquid-Nitrogen-Precooled Pulsed Magnet

A sketch of a horizontal section through the proposed 15-T pulsed magnet is shown in Fig. 18. The magnet consists of three nested coils wound from solid, rectangular copper conductor, with axial cooling channels between (and outside of) the three coils [40].

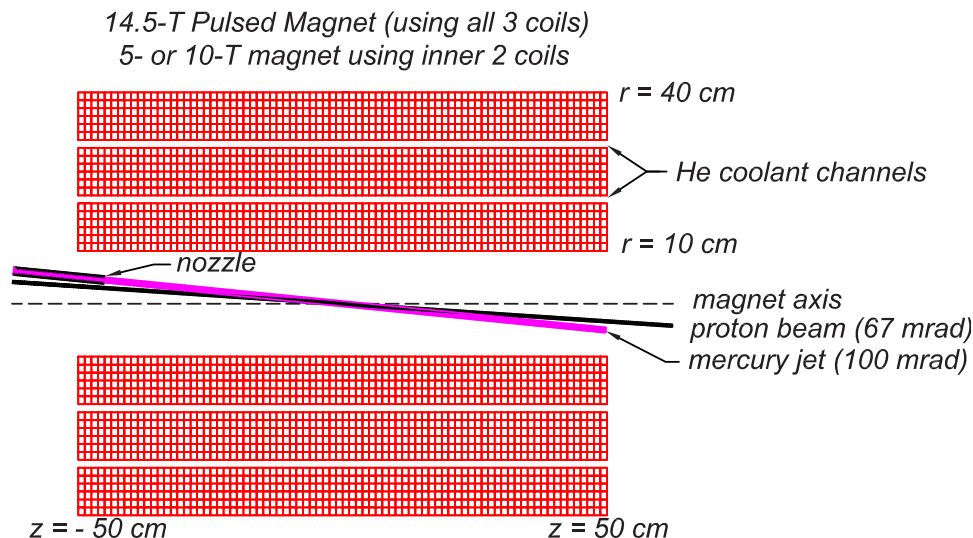


Figure 18: A horizontal section through the proposed 15-T pulsed magnet, which has a 15-cm-diameter warm bore inside which the beam and mercury jet overlaps at angles up to 150 mrad to the magnetic axis [40].

To reduce the power consumption, and hence the size of the coil, cooling system and power supply, the coils are operated at cryogenic temperatures. Figure 19 shows how the resistivity and heat capacity of copper vary with temperature, which indicates that it is advantageous to operate a copper magnet at temperatures as low as about 30K.

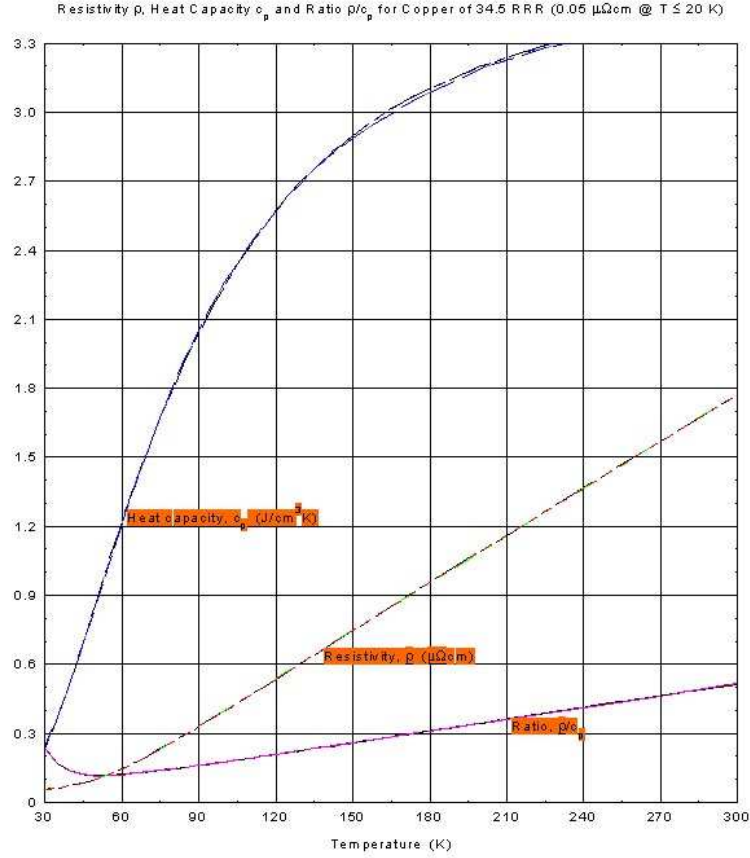


Figure 19: The resistivity and heat capacity of copper as a function of temperature [40].

The magnet is directly cooled by helium gas, to minimize activation of the flowing coolant by the intense proton beam. An external heat exchanger (see sec. 2.1.3) maintains the coolant temperature at the desired value, nominally 70K for 15-T operation, by pumping on a bath of liquid nitrogen.

Figure 20 shows the (relative) field strength as a function of position along the axis of the 15-T pulsed magnet. In a region of ± 1 interaction length ($\pm 15 \text{ cm}$) the field varies by only 2.5% (*i.e.*, 1% rms variation).

The time dependence of several parameters of the 15-T magnet during a pulse are shown in Fig. 21. The current (which is proportional to the magnetic field) takes about 10 sec to ramp up to 7200 Amps, and is brought down in about 5 sec. About 20 MJ of energy is deposited in the magnet due to Joule heating, in consequence of which its temperature rises by about 30K.

The time needed to remove the 20 MJ of Joule heating determines the operational cycle time of the system. This is expected to be at least 30 min per pulse at 15 T.

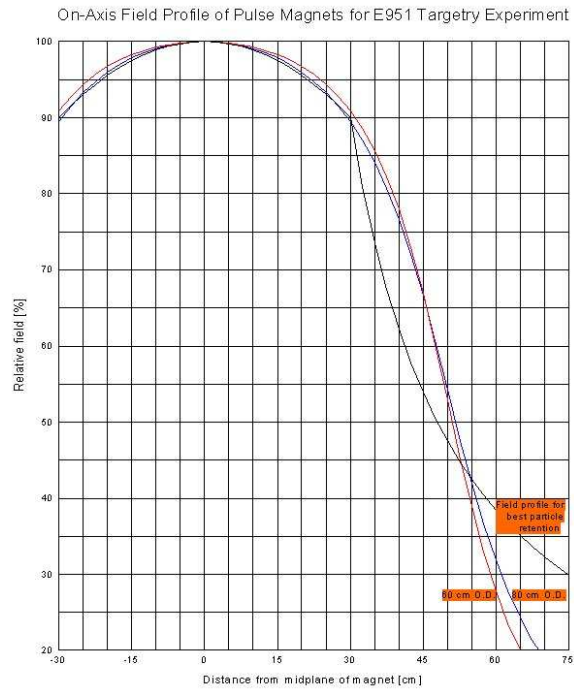


Figure 20: The calculated axial profile of the magnetic field in the 15-T pulsed magnet [40].

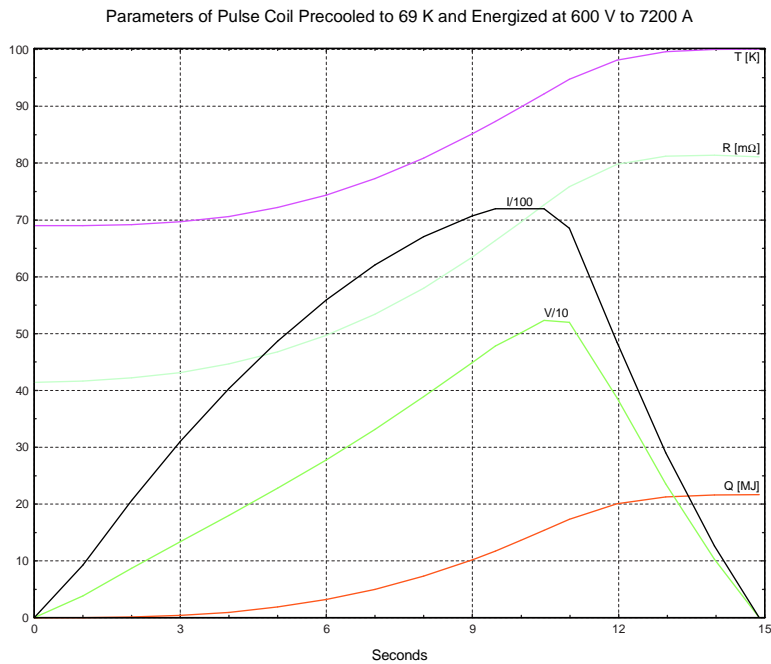


Figure 21: Time dependence in the 15-T pulsed magnet of the temperature T , the current I (with is directly proportional to the magnetic field B), the coil resistance R , the voltage drop V across the coil, and the energy Q deposited in the coil by Joule heating.

2.1.2 The 15-T Pulsed Magnet Coil Package

Figure 22 shows two assembly drawings of the 15-T coil package and cryostat from a detailed engineering study [41]. The full drawing set for this magnet can be viewed at [42].

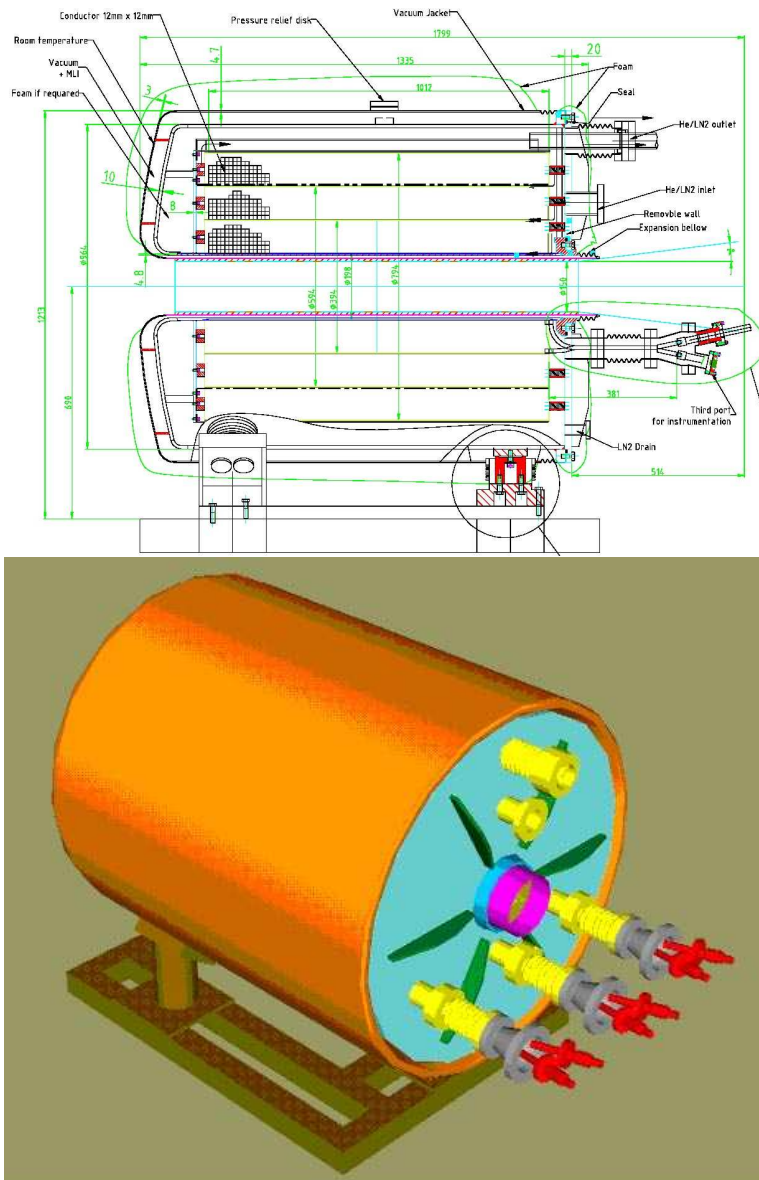


Figure 22: Sketches of the concept of a 15-T, pulsed copper solenoid for use in the prototype target studies [41].

The current leads to each of the three coils are fed through the cryostat to permit external connections to be made separately, permitting operation of the magnet at 5, 10 or 15 T as desired.

2.1.3 The 15-T Pulsed Magnet Cooling System

Figure 23 sketches the proposed cooling system for the 15-T pulsed magnet [43]. To minimize activation of the coolant by the proton beam, gaseous helium is used (at 10 atm). The helium is cooled in an external heat exchanger (Fig. 24) by liquid nitrogen (which is pumped to lower its temperature to 70K).

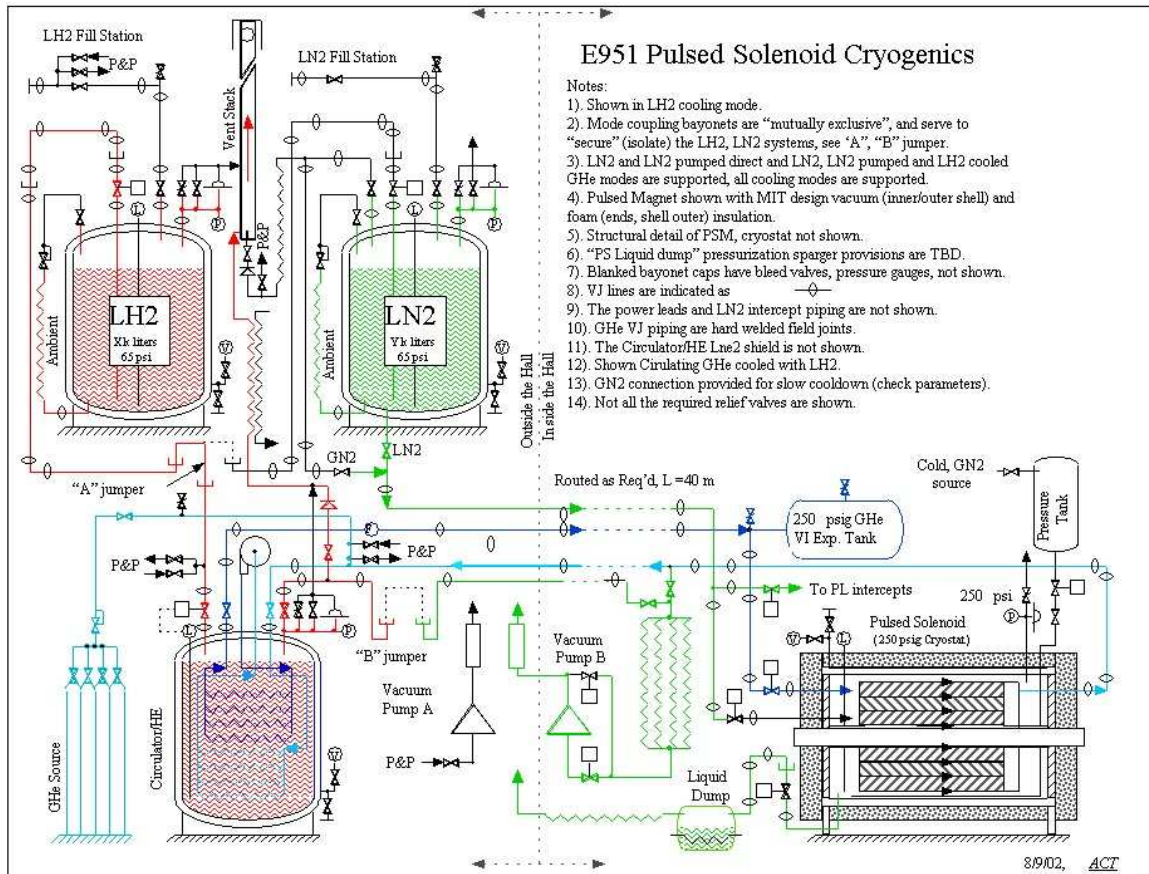


Figure 23: Process diagram for the cooling system for the 15-T pulsed magnet. Gaseous helium flows through the magnet, and is cooled by liquid nitrogen in an external heat exchanger. The option to cool the helium by liquid hydrogen appears not to be cost effective.

An option exists to use liquid hydrogen in the heat exchanger, but this appears not to be cost effective because of the additional safety requirements that must be met in this case.

Figure 25 shows a flowchart of the cooldown and pulsed operation of the 15-T magnet with gaseous He/liquid N₂ [43].

The time required to cool the magnet down from 100K to 70K after a pulse at 15 T is estimated to be between 30 and 60 min [44].



Figure 24: Photograph of the SSC-surplus heat exchanger (now at BNL) that is available for use in the proposed experiment.

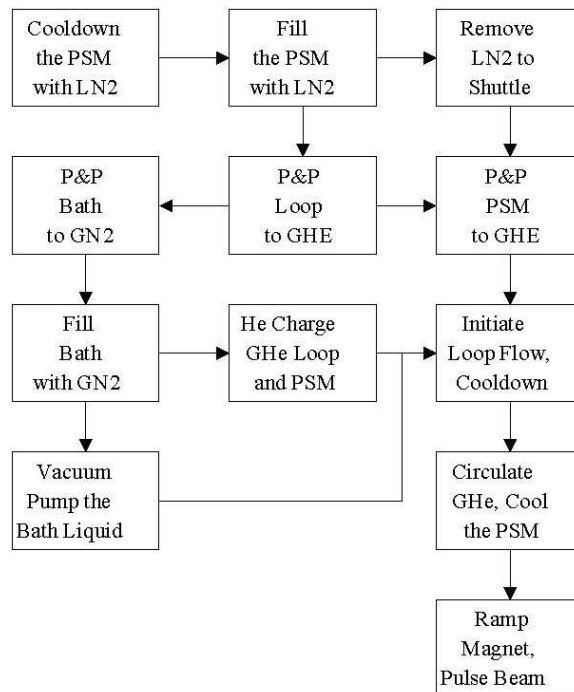


Figure 25: Flowchart of the cooldown and pulsed operation of the 15-T magnet with gaseous He/liquid N_2 [43].

2.1.4 The 15-T Pulsed Magnet Power Supply

The 15-T magnet will require a pulsed power supply capable of delivering up to 7200 Amps at 600 V (4.32 MVA peak power). This power supply need not be highly regulated; the load is highly inductive (0.5 Henries, 0.04 Ohms).

Hence a basic thyristor-controlled, six-pulse (or twelve) power supply would suffice, if augmented with suitable feedback controls. Figure 26 illustrates such a scheme (for operation at 5 T rather than 15 T).

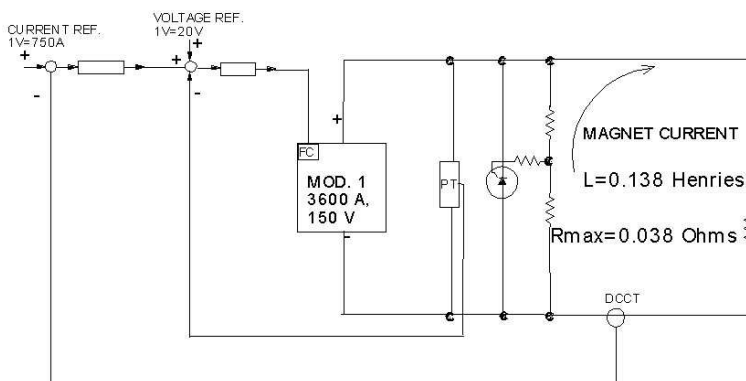


Figure 26: Example of a power-supply arrangement to operate the magnet at 5 T. For 15-T operation, a supply capable of 7200 A, 600 V is needed.

If such a supply is purchased from a commercial vendor, it will be simplest to feed the supply at a high AC voltage, such as 13.8 kV. Since the power supply will take up to 5 MW peak power off the line, it will likely require a dedicated substation.

Because our application is very low duty cycle ($< 1/200$), and the total number of cycles required is only 1,000, it may be cost effective to use a bank of batteries as the power supply (with a charger of only 25-50 kW capability).

2.2 Possible Siting of the 15-T Pulsed Magnet Facility at BNL

The present Letter of Intent is for studies that are a direct continuation of work that has been carried out at Brookhaven National Laboratory in the USA as part of experiment E951. It is therefore natural that we have been exploring whether the proposed studies could be carried out at BNL. Indeed, most of the works cited in sec. 2.1 refer to plans to implement the experiment at BNL.

Figure 27 sketches the layout of a possible implementation of the proposed studies with a 15-T magnet in the A3 beamline of the BNL AGS, where past beam studies of E-951 have been performed.

It is, however, timely to consider performing the experiment at J-PARC, for three reasons:

1. The US Department of Energy, which operates BNL, no longer appears to want to support use of the BNL AGS for high-energy physics studies.

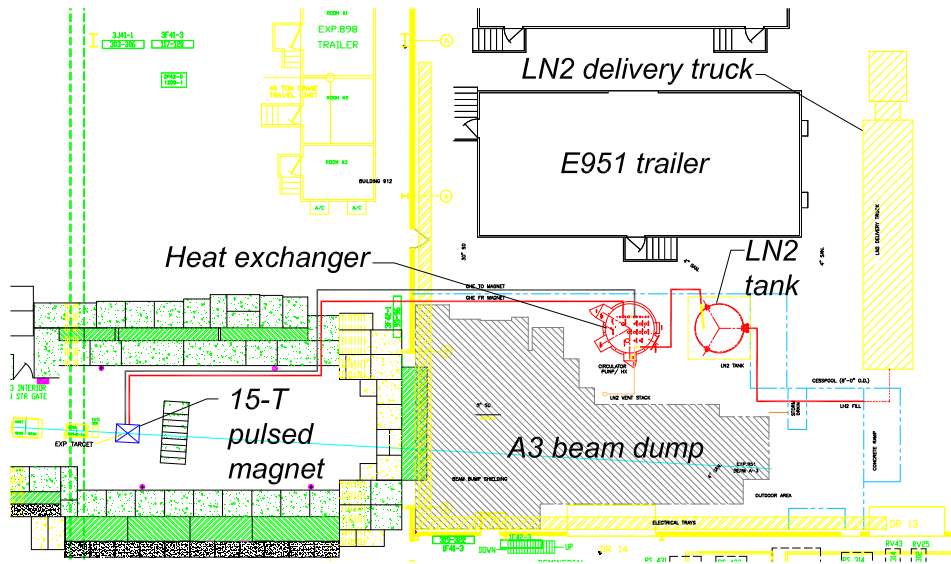


Figure 27: Possible layout of the 15-T pulsed magnet in the A3 beamline at BNL, with the heat exchanger and LN₂ storage located outside the experimental hall near the A3 beam stop.

2. The AGS beam pulses are not intense enough to provide a critical test of the conditions that would be encountered by a target station at a multimewatt proton driver.
3. The AGS fast kicker can kick out only a single bunch from the ring (per 30 ms interval), so that the low intensity of individual pulses cannot be compensated by use of a pulse sequence whose integrated intensity is high.

2.3 Request for J-PARC Facilities

The present Letter of Intent is for studies that would extend the program discussed in [39], “Request for a Pulsed Proton Beam Facility at J-PARC”.

- The studies proposed here are to be made using small numbers ($\approx 1,000$ total) of intense proton pulses from the 50-GeV ring at J-PARC. (Preliminary studies could also be performed with pulses from the 3-GeV booster ring.)
- A “pulse-on-demand” mode of operation is desired, in which a proton pulse is used at most every few minutes. A higher repetition rate would be useful during beam setup.
- The studies should be carried out in an area suitable for use with primary proton beam, which implies substantial shielding. The small number of beam pulses required should, however, limit the activation of materials to low levels.
- The target system + surrounding (pulsed) 15-T solenoid magnet could occupy as little as 2 m along the beamline. However, a target “cave” of at least 4×4 m² floorspace is more desirable.

- The beam should be focusable to a spot of rms radius 2-3 mm at the target location.
- It is desirable to be able to extract any number from 1 to 9 of the bunches in the J-PARC 50-GeV ring during a single turn; a programmable fast-kicker is required for this.
- The mercury jet is to be about 1-cm diameter, flowing at 10-20 m/sec, entirely within a stainless-steel containment vessel (with beam entrance and exit windows of a higher-strength alloy). Diagnostics of the beam/jet interaction are primarily optical.
- The pulsed magnet is advantageously operated at about 70K to lower the resistance of its copper coils. The coils are cooled by flowing He gas, which is cooled by LN₂ in an external heat exchanger. A LN₂ storage dewar of capacity at least 20,000 liters is required.
- The magnet requires a special power supply, capable of 4-5 MW peak power. This could be a “conventional” power supply (that would require 5 MW (peak) wall power), or it could be a power supply based on an array of batteries (that would require only ≈ 50 kW wall power for a “battery charger”).

3 References

- [1] Y. Hayato *et al.*, *Neutrino Oscillation Experiment at JHF*, Letter of Intent to the J-PARC 50 GeV Proton Synchrotron (Jan. 21, 2003),
http://neutrino.kek.jp/jhfnu/loi/loi_JHFcor.pdf
- [2] M.M. Alsharo'a *et al.*, *Status of Neutrino Factory and Muon Collider Research and Development and Future Plans*, submitted to Phys. Rev. ST Accel. Beams (Aug. 13, 2002), <http://www.cap.bnl.gov/mumu/pubs/prstab-020814/prstab-rev1.pdf>
- [3] S. Machida *et al.*, *The Prism Project*, Letter of Intent to the J-PARC 50 GeV Proton Synchrotron (Jan. 21, 2003), <http://www-prism.kek.jp/LOI2002/prism-loi.pdf>
- [4] J-PARC Materials and Life Science Facility home pages:
<http://j-parc.jp/MatLife/en/index.html>
<http://www.jaeri.go.jp/english/research/re06.html>
- [5] Advanced Fuel Cycle home page: <http://apt.lanl.gov/index.html>
- [6] J-PARC Accelerator-Driven Transmutation Experimental Facility home page:
<http://j-parc.jp/Transmutation/en/ads.html>
- [7] R. Ferdinand, *IFMIF – A challenging high intensity accelerator* (Apr. 8, 2002),
http://www.hep.princeton.edu/~mcdonald/mumu/target/tue_wg2_ferdinand_IFMIF.pdf
JAERI-IFMIF home page: http://insdell.tokai.jaeri.go.jp/IFMIFHOME/ifmif_home.e.html
- [8] J. Lettry *et al.*, *Experience with ISOLDE Molten Metal Targets at the CERN-PS Booster*, in Proceedings of ICANS-XIII (1995),
<http://www.hep.princeton.edu/~mcdonald/mumu/target/lettry/1.html>
- [9] J.R. Haines, *Pitting Issues/Target Decision*, (Nov. 13, 2002),
http://www.hep.princeton.edu/~mcdonald/mumu/target/ORNL/Haines_DOE_Nov_02.pdf
- [10] *Status Report on Mercury Target Development and Related Issues*, SNS-101060100-TR0006-R00 (July 31, 2002),
<http://www.hep.princeton.edu/~mcdonald/mumu/target/ORNL/pitting.pdf>
- [11] C.D. Johnson, *Present and Future Possibilities of Antiproton Production from Fixed Targets at CERN*, *Hyperfine Interactions* **44**, 21 (1988).
- [12] R.M. Dzhikibaev and V.M. Lobashev, *On the search for the $\mu \rightarrow e$ conversion process in a nucleus*, *Sov. J. Nucl. Phys.* **49**, 384 (1989).
- [13] R.B. Palmer *et al.*, *Muon Colliders*, *A.I.P. Conf. Proc.* **372**, 3 (1996).
- [14] S. Ozaki *et al.*, eds., *Feasibility Study-II of a Muon-Based Neutrino Source*, Chap. 3 discusses the target system. (June 13, 2001),
<http://www.cap.bnl.gov/mumu/studyii/FS2-report.html>

- [15] N.V. Mokhov and A. Van Ginneken, *Pion Production and Targetry at $\mu^+\mu^-$ Colliders*, AIP Conf. Proc. **441**, 320 (1998);
<http://www-ap.fnal.gov/~mokhov/papers/1998/Fermilab-Conf-98-41.ps>
 N.V. Mokhov and S.I. Striganov, *Model for Pion Production in Proton-Nucleus Interactions*, FERMILAB-Conf-98/053 (Feb. 5, 1998);
<http://www-lib.fnal.gov/archive/1998/conf/Conf-98-053.html>
- [16] N.V. Mokhov, *The MARS Code System Users' Guide*, Fermilab-FN-628 (1995),
<http://www-ap.fnal.gov/MARS/>
- [17] N.V. Mokhov, *Particle Production for a Muon Storage Ring: I. Targetry and π/μ Yield*, Muon Collaboration Note MUC0169 (Sep. 2000),
<http://www-mucool.fnal.gov/mcnotes/muc0169.pdf>
- [18] P.T. Spampinato *et al.*, *Support Facility for a Mercury-Jet Target Neutrino Factory*, ORNL/TM-2001/124 (Sept. 2001),
<http://www.hep.princeton.edu/~mcdonald/mumu/target/tm-2001-124.pdf>
- [19] P. Sievers and P. Pognat, *Response of Solid and Liquid Targets to High Power Proton Beams for Neutrino Factories*, CERN-NuFACT Note 035 (Oct. 12, 2000),
<http://nicewww.cern.ch/~molat/neutrino/nf35.pdf>
- [20] J. Gallardo *et al.*, *First order perturbative calculations for a conducting liquid jet in a solenoid*, MUC0242 (Apr. 12, 2002),
<http://www-mucool.fnal.gov/mcnotes/public/pdf/muc0242/muc0242.pdf>
- [21] J.R. Haines *et al.*, *Summary of Mercury Target Pitting Issue*, SNS-101060100-TR0004-R00 (April, 2002), sec 4.0. This document forms Appendix of [10].
- [22] R. Samulyak, *Target Simulations* (Jan. 15, 2003),
<http://www.hep.princeton.edu/~mcdonald/mumu/target/MUTAC03-samulyak.pdf>
- [23] FronTier code home page: <http://www.ams.sunysb.edu/~shock/FTdoc/FTmain.html>
- [24] Lord Rayleigh, *The Theory of Sound* (reprinted by Dover, 1945), Vol. 2, p. 362.
- [25] S. Chandrasekhar, *Hydrodynamic and Hydromagnetic Stability* (reprinted by Dover, 1981), §112.
- [26] J. Alessi *et al.*, *An R&D Program for Targetry and Capture at a Muon-Collider Source* (Sep. 29, 1998, approved as BNL E-951 Oct. 1, 1999),
<http://www.hep.princeton.edu/~mcdonald/mumu/target/targetprop.pdf>
- [27] CERN/ISOLDE Mass Separator Facility home page:
<http://isolde.web.cern.ch/ISOLDE/>
- [28] Grenoble High Field Magnet Laboratory home page: <http://ghmfl.polycnrs-gre.fr/>
- [29] FISO Technologies home page: <http://www.fiso.com/>

- [30] N. Simos *et al.*, *Thermal Shock Induced by a 24 GeV Proton Beam in the Test Windows of the Muon Collider Experiment E951 – Test Results and Theoretical Predictions*, contributed to AccAPP'01 (Nov. 9, 2001),
http://www.hep.princeton.edu/~mcdonald/mumu/target/simos/e951_windows_AccAPP2001.pdf
- [31] N. Simos *et al.*, *E951 Experiment Target Response Re-Evaluation* (May 10, 2002),
http://www.hep.princeton.edu/~mcdonald/mumu/target/simos/NSimos_Shelter_presentation.pdf
- [32] N. Simos *et al.*, *Study of Graphite Targets Interacting with the 24 GeV Proton Beam of the BNL Muon Target Experiment*, contributed to EPAC2002 (May 24, 2002),
<http://www.hep.princeton.edu/~mcdonald/mumu/target/simos/TUPDO024.pdf>
- [33] P. Thieberger, *Upper Limits for Sublimation Losses from Hot Carbon Targets in Vacuum and in Gases*, MUC0186 (Nov. 27, 2000),
<http://www-mucool.fnal.gov/mcnotes/public/pdf/muc0186/muc0186.pdf>
- [34] J.R. Haines and C.C. Tsai, *Graphite Sublimation Tests for the Muon Collider/Neutrino Factory Target Development Program* (Nov. 7, 2001),
http://www.hep.princeton.edu/~mcdonald/mumu/target/Graphite_Sublimation_Report.pdf
- [35] K.T. McDonald *et al.*, *The R&D Program for Targetry at a Neutrino Factory*, paper TPAH156 contributed to PAC2001 (Jun 18, 2001),
<http://www.hep.princeton.edu/~mcdonald/mumu/pac01/tpah156.pdf>
- [36] H.G. Kirk *et al.*, *Target Studies with BNL E951 at the AGS*, paper TPAH137 contributed to PAC2001 (Jun 18, 2001),
<http://www.hep.princeton.edu/~mcdonald/mumu/pac01/tpah137.pdf>
- [37] A. Fabich, *High Power Proton Beam Shocks and Magnetohydrodynamics in a Mercury Jet Target for a Neutrino Factory*, Ph.D. Thesis, Technischen Universität Wien (Nov. 2002), <http://www.hep.princeton.edu/~mcdonald/mumu/target/thesis-2002-038.pdf>
- [38] N. Simos *et al.*, *Interaction of a 24 GeV Proton Beam with a Muon Collider Mercury Jet Target. Experimental Results and Thermodynamic Assessment*, submitted to AccApp'01 (Nov. 9, 2001),
http://www.hep.princeton.edu/~mcdonald/mumu/target/simos/e951_jet_AccAPP2001.pdf
- [39] S. Machida *et al.*, *Request for a Pulsed Proton Beam Facility at J-PARC*, Letter of Intent to the J-PARC 50 GeV Proton Synchrotron (Jan. 21, 2003),
<http://www-prism.kek.jp/LOI2002/fxt-loi.pdf>
- [40] R.J. Weggel, *A Three Stage Cryogenic Pulse Magnet Program for the BNL Targetry Experiment* (Feb. 9, 2002),
http://www.hep.princeton.edu/~mcdonald/mumu/target/weggel/chicago_020902.pdf
- [41] P. Titus, *E-951 15-T Pulsed Magnet for Mercury Target Development* (Sept. 6, 2002),
http://www.hep.princeton.edu/~mcdonald/mumu/target/MIT/desrev_090602.pdf

- [42] P. Titus' web page "BNL Pulsed Magnet Memos and Reports",
[http://www.psfc.mit.edu/people/titus/#BNL Memos](http://www.psfc.mit.edu/people/titus/#BNL%20Memos)

- [43] G.T. Mulholland, *E-951 Cryo Operating Procedures* (Sept. 20, 2002),
[http://www.hep.princeton.edu/~mcdonald/mumu/target/mulholland/
E951_Operating_ProceduresB.pdf](http://www.hep.princeton.edu/~mcdonald/mumu/target/mulholland/E951_Operating_ProceduresB.pdf)

- [44] P. Titus, *E-951 15-T Pulsed Magnet Cooldown Times* (Jan. 22, 2003),
<http://www.hep.princeton.edu/~mcdonald/mumu/target/MIT/Hegas.pdf>