

# Studies of a Liquid Argon Time Projection Chamber in a Magnetic Field and at High Pressure

A PROPOSAL TO THE DOE ADVANCED DETECTOR RESEARCH PROGRAM

Changguo Lu and Kirk T. McDonald<sup>1</sup>

*Joseph Henry Laboratories, Princeton University, Princeton, NJ 08544*

(February 4, 2003)

## Abstract

Recent results from SNO [1] and KamLAND [2] confirm the large mixing angle MSW solution to the solar neutrino problem, which implies that the full 3-generation neutrino mixing matrix can be studied in a new generation of accelerator-based neutrino experiments. A particular opportunity for this is to place a new, large (20 kton or more) neutrino detector in a NuMI off-axis beam [3], where parameters  $\sin^2 2\theta_{13}$ , the sign of  $\Delta M_{23}^2$ , and the CP-violating phase  $\delta$  could be studied. At this scale of detector, the best technology – a total absorption tracking calorimeter based on a liquid argon time-projection chamber (TPC) [4, 5, 6, 7] – is very cost competitive with coarser sampling devices. Furthermore, a small (40 ton) liquid argon TPC is well suited for use as a near detector in the NuMI beam to characterize the beam, measure low-energy charged and neutral current neutrino interaction cross sections, and to perform nonoscillation physics measurements that emphasize aspects of nuclear structure (such as the strange-quark sea) best accessible via neutrino beams.

A liquid argon TPC is compatible with operation inside a magnetic field, which would permit measurement of final-state muon momenta in charged-current interactions, and identification of the sign of final-state electrons/positrons. The former capability is desirable in a near detector application, and both capabilities are useful, even essential in a detector for a neutrino factory based on a muon storage ring [8].

The technology of liquid argon TPC's is now relatively mature due to the extensive efforts of the ICARUS group [9], whose largest device to date has a mass of 600 tons. In extrapolating liquid argon TPC's to future applications in neutrino beams [10], several issues will benefit from R&D: operation with extremely long wires, operation at high pressure, operation in a magnetic field, upgrades of electronics and cryogenic feedthroughs, industrial-scale purification of argon to 0.1 ppb of O<sub>2</sub>. Here, we propose to undertake R&D on the two of these topics that can be addressed by a relatively small-scale effort:

1. Verification that a liquid argon detector can be operated with the electric field perpendicular to the magnetic field (unlike gas phase time projection chambers that must be operated with  $\mathbf{E}$  parallel to  $\mathbf{B}$ ).
2. Verification that a liquid argon detector can be operated at several atmospheres pressure, as would occur near the bottom of a very large detector.

---

<sup>1</sup>Corresponding author: kirkmcd@princeton.edu

These studies are to be performed with a small detector, similar to that used to measure the electron lifetime in liquid argon [11]-[16]. The requested funds for this are \$30k.

A followup study to demonstrate the accuracy of electron charge determination as a function of electron energy in a beam test has been proposed [17, 18], but is well beyond the scope of the present proposal.

If approved, the proposed effort would be the first work with the liquid argon TPC technology to be performed in the USA.

# 1 Concept of a Large Magnetized Liquid Argon Detector

The authors' interest in large detectors for neutrino physics arises from our involvement in studies for high-performance neutrino factories based on muon storage rings [8], and for neutrino superbeams from pion decay [3]. A new accelerator-based neutrino physics program must provide significant contrast to the program developing in Japan in association with the JHF [19]. The Japanese detector is the 50-kton (22-kton fiducial volume) water Čerenkov detector, Superkamiokande, presently operating with no magnetic field, with a possible upgrade to a 1-Mton detector in the future.

A superior detector must offer greater information about the neutrino interactions, particularly the sign of the leptons into which the neutrino converts, which implies that it must be immersed in a magnetic field. A water Čerenkov detector with PMT readout is not very compatible with magnetic analysis. A magnetized-iron sampling calorimeter can analyze the momentum of final state muons, but has little ability to analyze the momentum of electrons. Among devices that could be scaled to very large volumes, a magnetized liquid argon detector is the only one that can analyze electron charge (up to a few GeV), and provides the most detailed tracking information for neutrino interactions.

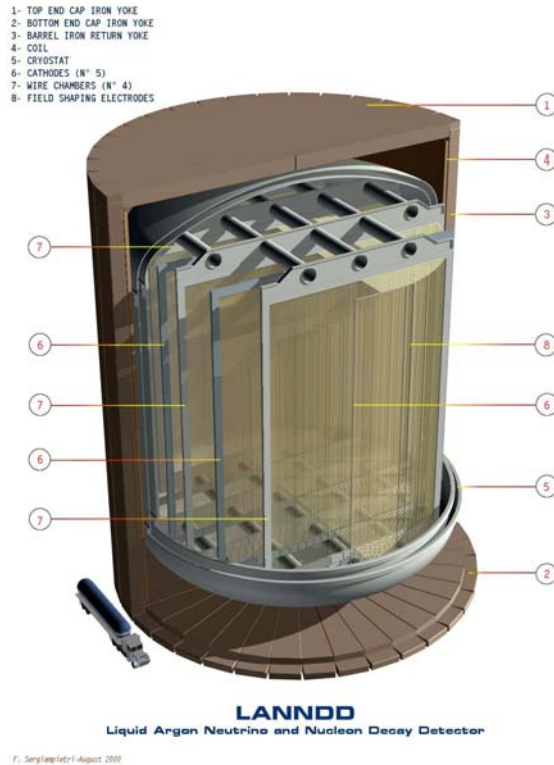


Figure 1: Concept of a 70-kton Liquid Argon Neutrino and Nucleon Decay Detector (LANNDD) [5, 6].

An overall concept of a large magnetized liquid argon detector is shown in Fig. 1. The

LANNDD is a time projection chamber, meaning that electrons ionized by charged particles from a neutrino (or other) interaction are drifted by an electric field to an  $x$ - $y$  readout plane that is sampled in time to provide the  $z$  coordinate of pattern of ionization. Anticipating the possibility that neutrino beams are eventually sent to it from more than one accelerator, the magnetic field is vertical so the trajectories of secondary particles are generally orthogonal to the magnetic field.

## 1.1 Operation with $\mathbf{E} \perp \mathbf{B}$

To keep the readout channel count reasonably small ( $\approx 200,000$ ), a pixel readout is not used, but rather arrays of wires at  $0^\circ$  and  $90^\circ$  to the vertical detect direct and induced signals from drifting electrons (a third plane of wires at  $45^\circ$  can also be used). The mechanics of the very large wire planes are somewhat easier if the planes are vertical, as shown in Fig. 1, which implies that the drift electric field is horizontal, *i.e.*, perpendicular to the magnetic field.

Furthermore, the use of crossed wire planes for the readout rather than pixels makes pattern recognition considerably easier if the electron drift is perpendicular, rather than parallel, to the magnetic field. Then, electrons from different regions of a track generally arrive at the readout plane at different times, and the problem of “ghost hits” is reduced [6, 17].

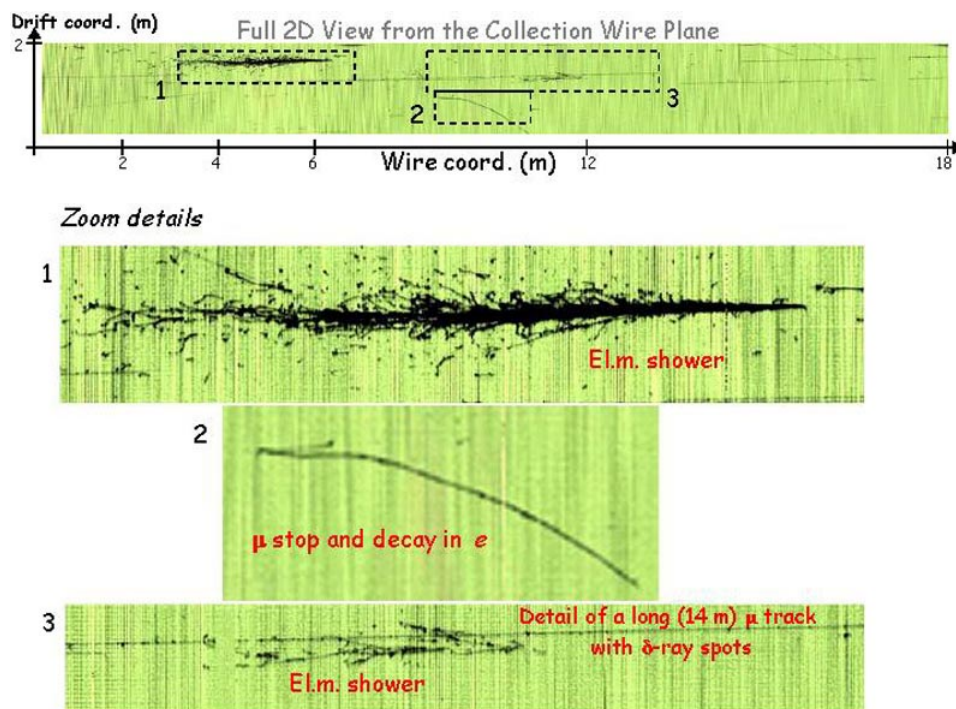


Figure 2: An event from the recent cosmic-ray test run of ICARUS [9], showing excellent track resolution over long drift distances in zero magnetic field.

All time projection chambers operated in a magnetic field to date have used a gas as the ionization medium, and have had the electric field parallel to the magnetic field. There are

two reasons for this, neither of which holds for a liquid medium. First, to obtain good momentum measurements in a gas, the electron diffusion in the bend plane must be suppressed, which requires  $\mathbf{E} \parallel \mathbf{B}$ . But, diffusion is so greatly suppressed in a liquid that good spatial resolution is maintained over large drift distances even in zero magnetic field, as shown in Fig. 2 from ICARUS. Second, the relatively high drift velocity of ionization electrons in a gas would result in a large ‘‘Lorentz angle’’ of drift relative to the electric field lines, and hence a compressed track pattern in one readout coordinate. But, the electron drift velocity in a liquid is low enough that the Lorentz angle effect should be negligible.

Nonetheless, in view of the novelty of operating a time projection chamber with  $\mathbf{E} \perp \mathbf{B}$ , we propose to study this.

## 1.2 Operation at High Pressure

Another issue novel to very large liquid detectors is the increase of pressure at the bottom of the tank. In principle, the drift velocity of ionization electrons is directly affected by the density of the medium, and only indirectly by the pressure to the extent that it influences the density. Since liquid argon, as with all liquids, is nearly incompressible, higher pressures should have little impact on the performance of the detector. Liquid argon has density 1.4, so the pressure increases by 1 atm for each 7 m of depth. For a LANNDD of 40 m total height, the maximum pressure is about 6 atm. We propose to verify that the electron transport in liquid argon is little affected by such pressures.

## 1.3 Determination of the Sign of the Electron Charge

One of the greatest advantages of a magnetized liquid argon detector is its ability to determine the sign of an electron up to a few GeV, by detailed analysis of its electromagnetic shower for which the radiation length is 14 cm. Measurement of the curvature of the electron trajectory before, and after, the first bremsstrahlung provide the signature of the electron charge, as illustrated in Fig. 3.

## 1.4 The $\mu$ -LANNDD Proposal

In view of electromagnetic shower fluctuations, it is important to verify the efficiency of the electron charge determination as a function of electron energy in actual experimental conditions. This requires a detector beyond the scope of the present proposal, but which is being proposed elsewhere by a collaboration including the authors [17, 18]. For this, a liquid argon detector some  $38 \times 38 \times 210 \text{ cm}^3$  with horizontal drift over 38 cm will be placed inside a 1-T magnet with vertical field, as sketched in Fig. 4.

## 1.5 A Liquid Argon TPC as a Near Detector in the NuMI Beam

A liquid argon TPC with a fiducial mass of 2 tons would detector about 200,000 charged-current interactions/years if placed 1 km from the NuMI target at Fermilab. To contain the ensuing hadron showers, a detector mass of 30-40 tons is appropriate. A sketch of such a

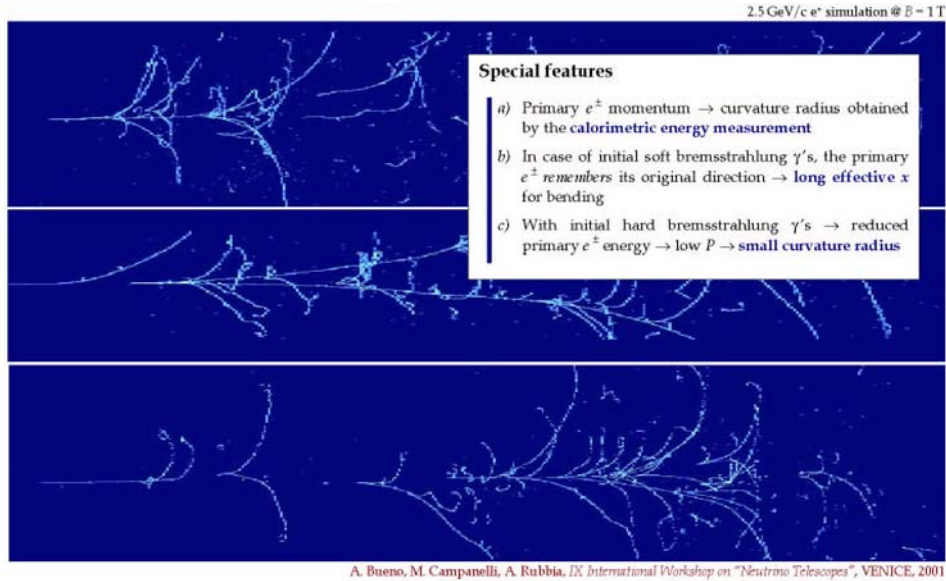


Figure 3: Simulations of electromagnetic showers of 2.5 GeV electrons in liquid argon with a 1-T transverse magnetic field [20].

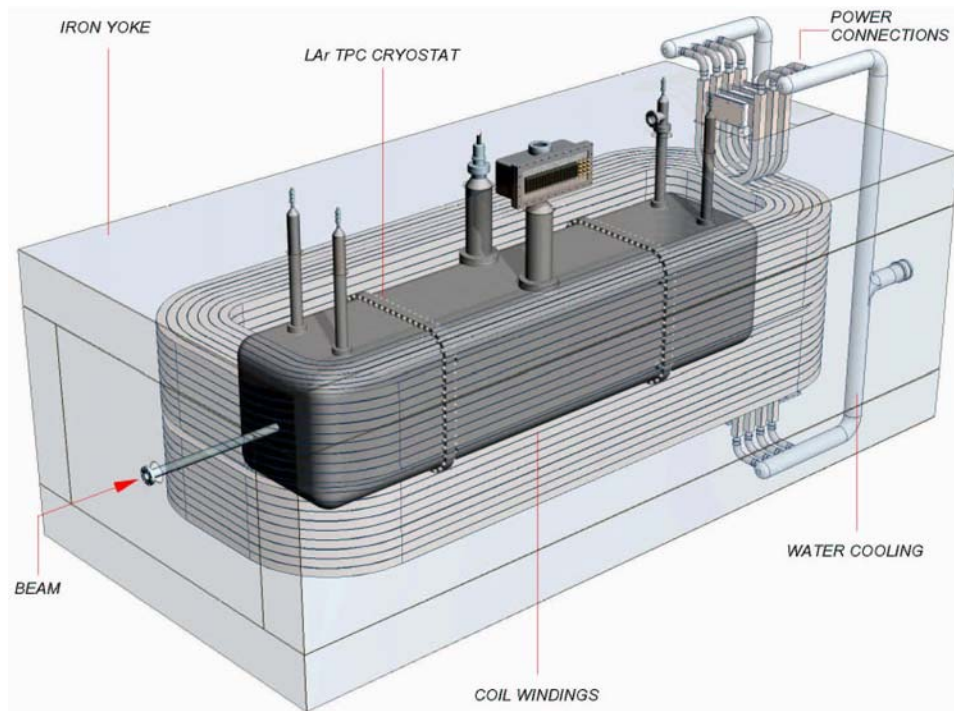


Figure 4: Sketch of the  $\mu$ -LANNDD detector being proposed to study the efficiency of electron charge determination in a magnetized liquid argon detector [17, 18].

detector is shown in Fig. 5. A good option for the latter would be use of the superconducting Helmholtz coil pair previously used with the Chicago Cyclotron magnet, as sketched in Fig. 6.

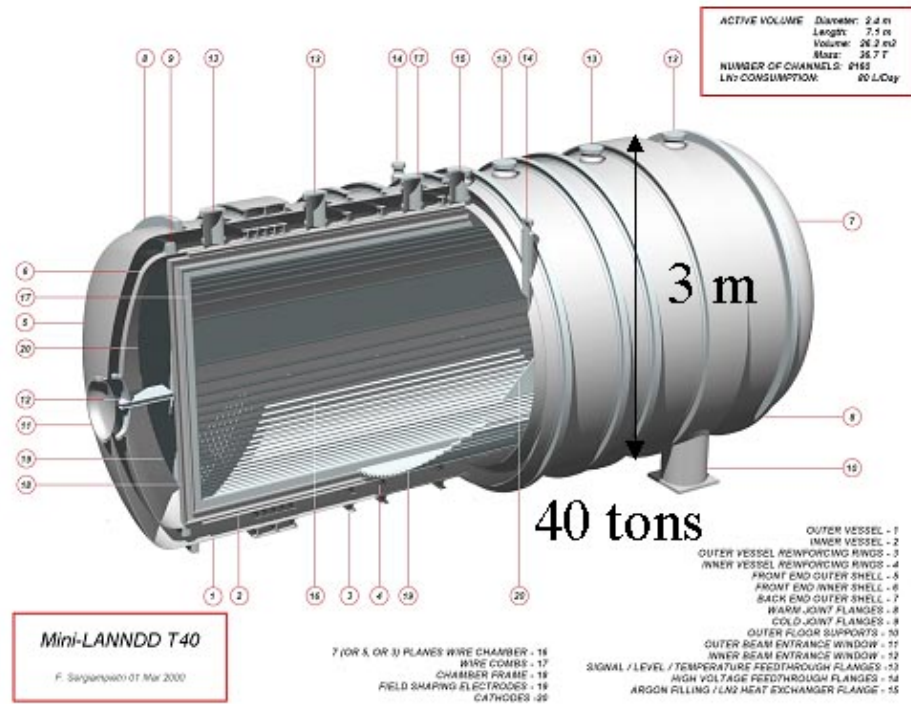


Figure 5: Sketch of a 40-ton liquid argon TPC detector being proposed as a near detector in the NuMI beam [7].

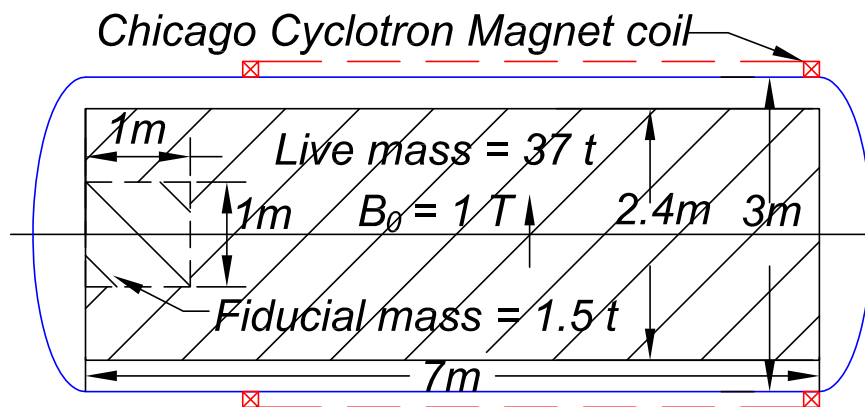


Figure 6: Sketch of a 40-ton liquid argon TPC detector plus the Chicago Cyclotron magnet coils that could provide a 1 Tesla magnetic field to measure the momenta of final-state muons.

## 2 The R&D Program

### 2.1 The Test Chamber

Two of the R&D goals for a large, magnetized liquid argon chamber can be accomplished with a small test chamber, sketched in Fig. 7, that can be placed in a magnetic field. This device, which is the heart of the present proposal, will be used to verify that good collection of ionization electrons occurs when the drift electric field is perpendicular to the magnetic field, and that good collection of electrons occurs at pressures up to 6 atmospheres.

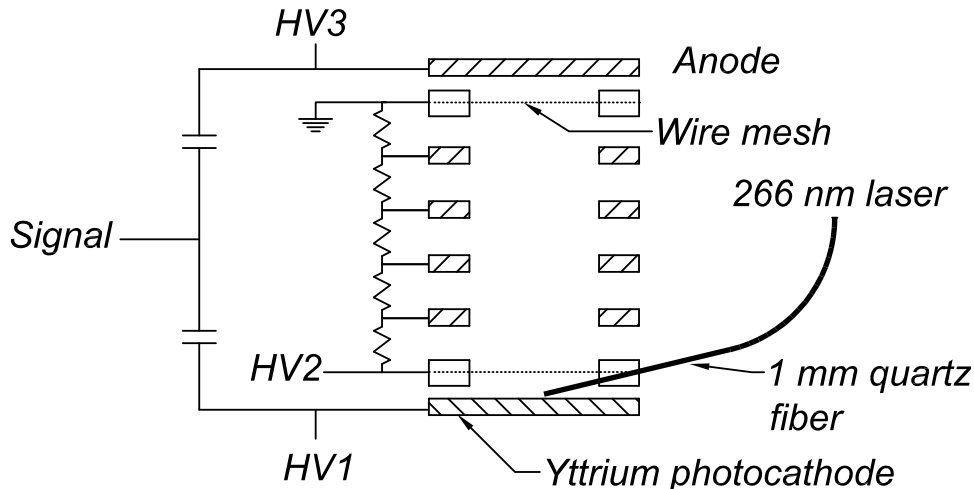


Figure 7: Sketch of the proposed test chamber. The central drift region between the two wire mesh grids is 50 mm long and 25 mm in diameter.

The test chamber is a small time projection chamber based on designs for chambers that can determine the lifetime of ionization electrons in liquids [11, 12, 13, 14, 15, 16]. To date, all use of such chambers has been in zero magnetic field, and essentially atmospheric pressure.

Electrons are ejected from the cathode by the photoelectric effect of a pulse of 266 nm light. We proposed to purchase a Pulselas frequency-quadrupled, Q-switched, diode-pumped laser from Alphalas [21]. This laser can deliver up to 20kHz of pulses, each of about  $1 \mu\text{J}$ , or  $\approx 6 \times 10^{12}$  UV photons. We choose a yttrium photocathode because of its relatively high quantum efficiency for an oxidized metal. Tests in our lab have shown that yttrium is superior to, for example, magnesium, which has been measured to have a quantum efficiency of  $10^{-3}$  at 266 nm [22]. Even if the coupling of the laser pulse into the 1-mm-diameter optical fiber (with a cryogenic feedthrough [23]) is as poor as 0.01, we should still have over  $10^7$  photoelectrons per pulse.

The test chamber is divided into three regions in which the electric field can be separately adjusted. Two wire meshes bound the central drift region, which is surrounded by injection and collection regions. With electric fields in the injection, drift, and collections regions in the ratios of 1:4:16, electrons all pulled past the mesh with greater than 99% efficiency [24].

The cathode and anode are both connected (via blocking capacitors) to a single low-noise preamp, as shown in Fig. 7. If all electrons ejected from the photocathode arrive at



the anode, the readout pulse shows an initial rise, followed by a fall back to ground after the delay time of the electrons across the chamber. If instead, the purity of the liquid is poor and electrons are attached during their drift, the fall of the pulse collected at the anode will be incomplete, as shown in Fig. 8 from [14]. The ratio of the extent of the fall to that of the rise permits a determination of the electron lifetime [11].

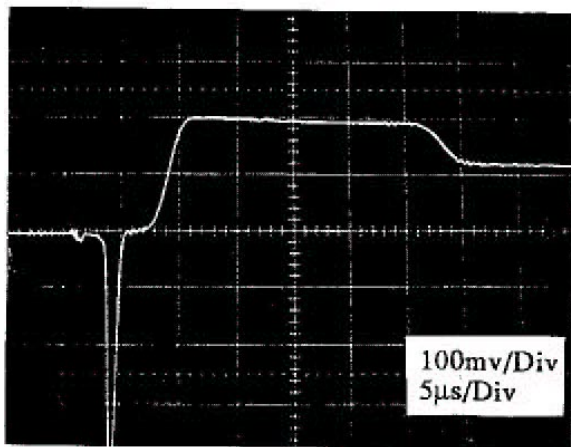


Figure 8: A typical pulse in an electron lifetime chamber [14], when the lifetime is poor.

Typically a noise pulse from interference from the Q-switched laser precedes the rise of the desired signal. It is also possible that electrons are ejected from other materials in the chamber by the part of the laser pulse reflected from the cathode, which electrons then find their way into the drift and collection regions. Should these effects prove to be troublesome, a more complex design of the injection gap can help suppress these noise sources [14].

## 2.2 Argon Purification

At liquid-argon temperature, the main source of electron attachment is residual oxygen. Electron attachment by oxygen in a liquid medium is more probable than in a gas, because the proximity of neighbor atoms in a liquid permits the oxygen ion to de-excite before the electron detaches [25]. A simple model consistent with the experience of the ICARUS group is that an electron drifting in liquid argon will become stuck on the first oxygen molecule it encounters – within one molecular radius of the electron’s trajectory. That is, a 2-m drift path requires a purity of 0.1 ppb of oxygen, since there are  $10^{10}$  2-angstrom-diameter argon atoms over this length. (The attached electron forms a metastable state whose lifetime is affected the ambient electric field; hence electron “lifetime” is somewhat improved by use of higher electric fields.)

The experience of the ICARUS group is that this level of oxygen purity can be achieved using commercial Oxisorb cartridges [26], provided care is taken in the purification sequence. Our proposed purification system is shown in Fig. 9. Besides the test chamber and Oxisorb cartridge, a separate storage tank is used for initial purification, and for temporary storage of the purified argon should the test chamber needed to be opened briefly.

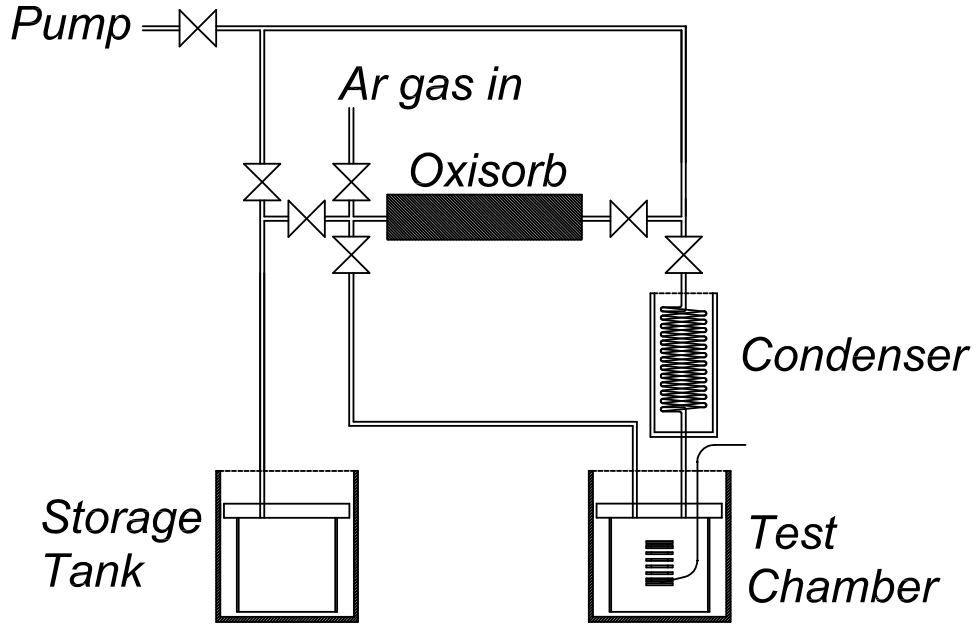


Figure 9: The argon purification system, based on an Oxisorb cartridge.

A single 200 ft<sup>3</sup> bottle of high purity argon (10-100 ppm) is sufficient for this project, since liquid argon has a volume 1/800 that of gas at STP. After the initial baking and pumpdown of the entire system, argon gas is introduced from the bottle through the Oxisorb cartridge and condensed in the storage tank, which is bathed in liquid nitrogen. The test chamber is sealed off at this stage. After the initial condensation, the Oxisorb cartridge is baked and pumped down to remove such non-oxygen contaminants as may have collected in it. Then, the storage tank is allowed to warm up, and the test chamber opened so the argon is distilled over into the test chamber, which is bathed in low-purity liquid argon.

Once the test chamber is at the desired liquid level (as measured by internal sensors [27]), the storage tank is closed, and the Oxisorb flow loop opened. The latter is driven by argon boiling off the surface of the liquid in the test chamber (which should actually not be too well insulated or the flow won't happen). To permit the loop to flow, the repurified argon gas must be condensed at the output from the Oxisorb cartridge in a separate condenser coil, also bathed in low-purity liquid argon, so that it can fall into the test chamber.<sup>2</sup>

### 2.3 Performance in a Magnetic Field

To verify the operation of a liquid argon time projection chamber in a magnetic field perpendicular to the drift electric field, we will place the test chamber in a 0.5-T C-type magnet that is open on top, as shown in Fig. 10. This magnet will be a reconfigured version of a magnet that produced a 1-T field across a 5" gap [28]. By widening the gap to 10" to accommodate the test chamber and its dewar, while reducing the magnetic field from 1 to 0.5 T, the magnet power consumption will remain essentially unchanged.

<sup>2</sup>Without the external condenser, there would be nothing to break the symmetry of the flow loop, and the argon wouldn't know which way to flow.

Should it prove desirable to study the chamber with  $\mathbf{B}$  parallel to  $\mathbf{E}$ , the chamber could be rotated by  $90^\circ$  and remounted within its vacuum vessel.

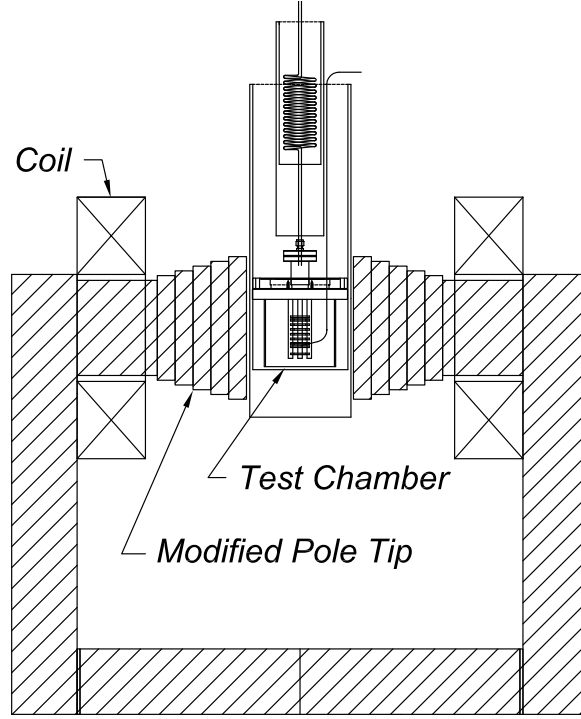


Figure 10: Sketch of the test chamber mounted in the 0.5-T magnet.

The electric field strength in the central drift region of the test chamber will be about 300 V/cm (= 1 statvolt/cm), and the corresponding electron drift velocity is about 1.3 mm/ $\mu$ s [29]. This is at the upper end of the linear regime of velocity *vs.* field strength, where the mean free path is only a few argon atoms,<sup>3</sup> and the collision time  $\tau$  is about  $5 \times 10^{-13}$  s.

When the electron drift takes place in a magnetic field of strength  $B$ , the electron has cyclotron frequency  $\omega_B = eB/mc = 1.7 \times 10^7 B$  [gauss]. Thus, for  $B = 0.5$  T = 5,000 gauss,  $\omega_B = 9 \times 10^{10}$ /s, and the corresponding period is  $\tau_B = 2\pi/\omega_B \approx 7 \times 10^{-11}$  s  $\approx 0.01\tau$ . That is, the collision frequency is almost 100 times the cyclotron frequency in a 0.5-T field, so we expect that the electron drift is hardly affected by such a magnetic field.

Another way of stating this result is that the Lorentz angle,  $\theta = \tan^{-1} vB/cE \approx 0.03$ , is small. The trajectory of the drift electrons in the test chamber will be offset by about 1.6 mm over the 50 mm central drift region. To detect this effect, we will use an anode plane segmented into 1 mm strips. To simplify the readout electronics, we will only instrument

<sup>3</sup>The drift velocity  $v = \lambda/\tau$  is related to the electric field  $E$ , the mean free path  $\lambda$ , and the mean free time  $\tau$  by

$$v = \frac{1}{2} \frac{eE}{m} \tau = \frac{1}{2} \frac{e\hbar}{m^2 c^3} \frac{mc}{\hbar} c^2 E \tau = \frac{1}{2} \frac{c^2}{E_{\text{crit}} \lambda_C} E \tau = \frac{1}{2} \frac{9 \times 10^{20} \text{ cm}^2/\text{s}^2}{(1.6 \times 10^{16} \text{ V/cm})(4 \times 10^{-11} \text{ cm})} E \tau \approx 8 \times 10^{14} E \tau.$$

Thus,  $E = 300$  V/cm and  $v = 1.3$  mm/ $\mu$ s =  $1.3 \times 10^5$  cm/s implies that the mean free time is  $\tau \approx 5 \times 10^{-13}$  s, and the mean free path is  $\lambda = v\tau \approx 8 \times 10^{-8}$  cm, *i.e.*, a few atomic diameters.

one of these strips at a time, mapping out the profile of charge collection at the anode during a series of short data runs.

## 2.4 Performance at 6 Atm

As noted above, the mean free path for drifting electrons in liquid argon is a few atomic diameters. Because liquid argon is nearly incompressible, we expect that the mean free path, and hence the electron mobility, is little affected by increased pressure [30]. The maximum pressure at the bottom of a 40-m-high LANNDD detector is about 6 atm, which is about the maximum pressure that can be safely sustained in the proposed test chamber (whose construction is based on components typical of the vacuum industry).

We therefore propose to pressurize the test chamber (with boiloff from the storage tank of purified argon) for short data runs to confirm the expectation that electron drift properties are largely independent of pressure.

## 3 Budget

We propose a budget of \$30k for this R&D project.

This budget includes \$10k for a Q-switched, frequency-quadrupled YAG laser (Pulselas 020-0266 from Alphas Co.), and \$20k for materials and supplies. The latter include stainless-steel vacuum components, cryogenic electrical feedthroughs, piping, valves, small dewars, cryogenic liquid level meters, a mass flowmeter, yttrium metal for the cathode, an Ortec 142A low-noise preamp, a data-collection PC, Oxisorb cartridges, various hardware for mounting the detector and purification system, argon and nitrogen gas and liquid.

Technician time for the fabrication of the detector will be provided by Princeton University. The magnet and a 20-kW power supply will be reconfigured from surplus equipment in the Princeton Physics Department.

## 4 Biographical Sketch of Kirk T. McDonald

Date of Birth: Oct. 20, 1945  
Place of Birth: Vallejo, California  
Nationality: USA  
Marital Status: Married, 2 children  
Work Address: Princeton University  
P.O. Box 708  
Princeton, NJ 08544  
Telephone: 609-258-6608  
Fax: 609-258-6360  
E-mail: [kirkmcd@princeton.edu](mailto:kirkmcd@princeton.edu)  
Web-site: <http://puhep1.princeton.edu/~mcdonald/>  
Bibliography: <http://puhep1.princeton.edu/~mcdonald/bib.pdf>

### Education:

1966-1972 Doctor of Philosophy in Physics  
Caltech  
1963-1966 Bachelor of Science in Mathematics and Physics  
University of Arizona

### Employment History:

Sep. 1985 – Professor of Physics, Princeton University  
Sep. 1980 – Aug. 1985 Associate Professor of Physics, Princeton University  
Sep. 1976 – Aug. 1980 Assistant Professor of Physics, Princeton University  
Jan. 1975 – Aug. 1976 Fermi Fellow, University of Chicago  
July 1972 – Dec. 1974 Postdoctoral Fellow, CERN

### Professional Organizations:

Fellow of the American Physical Society  
Member of the American Association for the Advancement of Science  
Member of the American Association of Physics Teachers  
Member of the American Association of University Professors  
Member of the Minerals, Metals and Materials Society (TMS)  
Member of ASM International

## References

- [1] Q.V. Ahmad *et al.*, *Measurement of the Rate of  $\nu_e + d \rightarrow p + p + e$  Interactions Produced by  $^8\text{B}$  Solar Neutrinos at the Sudbury Neutrino Observatory*, Phys. Rev. Lett. **87**, 071301 (2001), <http://sno.phy.queensu.ca/>
- [2] K. Eguchi *et al.*, *First Results from KamLAND: Evidence for Reactor Anti-Neutrino Disappearance*, Phys. Rev. Lett. **90**, 021802 (2003), [http://www.awa.tohoku.ac.jp/KamLAND/first\\_results/KamLAND\\_PRL.pdf](http://www.awa.tohoku.ac.jp/KamLAND/first_results/KamLAND_PRL.pdf)
- [3] D. Ayres *et al.*, *Letter of Intent to Build an Off-Axis Detector to Study  $\nu_\mu \rightarrow \nu_e$  Oscillations with the NuMI Neutrino Beam*, (P-929) submitted to Fermilab (July 17, 2002), [http://kirkmcd.princeton.edu/nufact/para/loi\\_v6.pdf](http://kirkmcd.princeton.edu/nufact/para/loi_v6.pdf)
- [4] C. Rubbia, *The Liquid Argon Time Projection Chamber: a New Concept for Neutrino Detector*, CERN-EP/77-08 (1977), <https://cds.cern.ch/record/117852/files/CERN-EP-INT-77-8.pdf>
- [5] D.B. Cline, F. Sergiampietri, J.G. Learned, K.T. McDonald, *LANNDD, A Massive Liquid Argon Detector for Proton Decay, Supernova and Solar Neutrino Studies, and a Neutrino Factory Detector*, (May 24, 2001), [arxiv.org/abs/astro-ph/0105442](http://arxiv.org/abs/astro-ph/0105442)
- [6] F. Sergiampietri, *On the Possibility to Extrapolate Liquid Argon Technology to a Supermassive Detector for a Future Neutrino Factory*, NuFACT'01 (May 26, 2001), [http://kirkmcd.princeton.edu/nufact/sergiampietri\\_nufact01.pdf](http://kirkmcd.princeton.edu/nufact/sergiampietri_nufact01.pdf)
- [7] K.T. McDonald, *Large and Small (Far and Near) Liquid Argon Detectors for an Off-Axis NuMI Beam*, Workshop on Detectors for a NuMI Off-Axis Beam Experiment (SLAC, Jan. 24, 2002), <http://kirkmcd.princeton.edu/nufact/neutrinotrans16.pdf>
- [8] M.M. Alsharo'a *et al.*, *Status of Neutrino Factory and Muon Collider Research and Development and Future Plans*, submitted to Phys. Rev. ST Accel. Beams (Aug. 13, 2002), <http://www.cap.bnl.gov/mumu/pubs/prstab-020814/prstab-rev1.pdf>
- [9] ICARUS home page: <http://icarus.lngs.infn.it/>
- [10] G. Barenboim *et al.*, *Detector R&D for future Neutrino Experiments with the NuMI Beamline*, (NuMI-PUB-GEN-0880, Oct. 21, 2002), <http://kirkmcd.princeton.edu/nufact/para/detectrd.pdf>
- [11] G. Carugno *et al.*, *Electron Lifetime Detector for Liquid Argon*, Nucl. Instr. and Meth. A **292**, 580 (1990), [http://kirkmcd.princeton.edu/examples/detectors/carugno\\_nim\\_a292\\_580\\_90.pdf](http://kirkmcd.princeton.edu/examples/detectors/carugno_nim_a292_580_90.pdf)
- [12] G. Bressi *et al.*, *Argon Purification in the Liquid Phase*, Nucl. Instr. and Meth. A **292**, 585 (1990), [http://kirkmcd.princeton.edu/examples/detectors/bressi\\_nim\\_a292\\_585\\_90.pdf](http://kirkmcd.princeton.edu/examples/detectors/bressi_nim_a292_585_90.pdf)
- [13] A. Bettini *et al.*, *A study of the factors affecting the electron lifetime in ultra-pure liquid argon*, Nucl. Instr. and Meth. A **305**, 177 (1991), [http://kirkmcd.princeton.edu/examples/detectors/bettini\\_nim\\_a305\\_177\\_91.pdf](http://kirkmcd.princeton.edu/examples/detectors/bettini_nim_a305_177_91.pdf)

- [14] P. Benetti *et al.*, *A simple and effective purifier for liquid xenon*, Nucl. Instr. and Meth. A **329**, 361 (1993), [http://kirkmcd.princeton.edu/examples/detectors/benetti\\_nim\\_a329\\_361\\_93.pdf](http://kirkmcd.princeton.edu/examples/detectors/benetti_nim_a329_361_93.pdf)
- [15] F. Arneodo *et al.*, *Electron Lifetime and Purity Monitor for the ICARUS T600 Detector*, ICARUS TM/02-14 (Nov. 21, 2002), [http://kirkmcd.princeton.edu/examples/detectors/icarus\\_02\\_14.pdf](http://kirkmcd.princeton.edu/examples/detectors/icarus_02_14.pdf)
- [16] F. Arneodo *et al.*, *General Layout of the Purity Monitoring System for the ICARUS T600 Detector*, ICARUS TM/02-15 (Nov. 22, 2002), [http://kirkmcd.princeton.edu/examples/detectors/icarus\\_02\\_15.pdf](http://kirkmcd.princeton.edu/examples/detectors/icarus_02_15.pdf)
- [17] A. Badertscher *et al.*, *Magnetized Liquid Argon Detector for Electron Charge Sign Discrimination*, submitted to the CERN SPSSC (Jan. 3, 2002), [http://kirkmcd.princeton.edu/nufact/uL@CERN\\_LOI.pdf](http://kirkmcd.princeton.edu/nufact/uL@CERN_LOI.pdf)
- [18] M.V. Diwan *et al.*, *Proposal to Measure the Efficiency of Electron Charge Sign Determination up to 10 GeV in a Magnetized Liquid Argon Detector ( $\mu$ LANNDD)*, (P-965) submitted to BNL (Apr. 7, 2002), [http://kirkmcd.princeton.edu/nufact/bnl\\_loi/argonprop.pdf](http://kirkmcd.princeton.edu/nufact/bnl_loi/argonprop.pdf)
- [19] Y. Hayato *et al.*, *Letter of Intent: Neutrino Oscillation Experiment at JHF* (Jan. 10, 2003), [http://neutrino.kek.jp/jhfnu/loi/loi\\_JHFcor.pdf](http://neutrino.kek.jp/jhfnu/loi/loi_JHFcor.pdf)
- [20] A. Bueno, M. Campanelli and A. Rubbia, *Neutrino factories: Detector concepts*, presented at the IX Intl. Workshop on Neutrino Telescopes (Venice, Mar. 6-10, 2001), <https://arxiv.org/abs/hep-ph/0106088>
- [21] Alphalabs GmbH, Göttingen, Germany, <http://www.alphalabs.com>
- [22] T. Srinivasan-Rau, *Magnesium Photocathode Efficiencies vs. Photon Energy Compared to Cu and Cs<sub>2</sub>Te* (Mar. 29, 1995), [http://nslsweb.nsls.bnl.gov/AccTest/capfiles/photocat/quantum\\_eff.html](http://nslsweb.nsls.bnl.gov/AccTest/capfiles/photocat/quantum_eff.html)
- [23] Oz Optics LTD, Ontario, Canada K0A 1L0, <http://www.ozoptics.com>
- [24] E. Buckley *et al.*, *A Study of Ionization Electrons Drifting Over Large Distances in Liquid Argon*, Nucl. Instr. and Meth. A **275**, 364 (1989), [http://kirkmcd.princeton.edu/examples/detectors/buckley\\_nim\\_a275\\_364\\_89.pdf](http://kirkmcd.princeton.edu/examples/detectors/buckley_nim_a275_364_89.pdf)
- [25] D.H. Swan, *Electron Attachment Processes in Liquid Argon containing Oxygen or Nitrogen Impurity*, Proc. Phys. Soc. **82**, 74 (1963), [http://kirkmcd.princeton.edu/examples/detectors/swan\\_pps\\_82\\_74\\_63.pdf](http://kirkmcd.princeton.edu/examples/detectors/swan_pps_82_74_63.pdf)
- [26] In the USA, Oxisorb cartridges can be ordered from Frank Tamandl of MG Industries, Allentown, PA, 610-530-5342, <http://www.mgindustries.com/gts/SpecGasEquip/Filtration.pdf>
- [27] We have verified that two commercial liquid-nitrogen level sensors also function correctly with liquid argon: Model LN2-1000 from Key High Vacuum Products, <http://www.keyhigh.com/> and Model 250 from Cryomagnetics, <http://www.cryomagnetics.com/>

- [28] H. Bichsel, R.F. Mozley and W.A. Aron, *Range of 6- to 18-MeV Protons in Be, Al, Cu, Ag, and Au*, Phys. Rev. **105**, 1788 (1957),  
[http://kirkmcd.princeton.edu/examples/detectors/bichsel\\_pr\\_105\\_1788\\_57.pdf](http://kirkmcd.princeton.edu/examples/detectors/bichsel_pr_105_1788_57.pdf)
- [29] P. Cennini *et al.*, *Performance of a three-ton liquid argon time projection chamber*, Nucl. Instr. and Meth. A **345**, 230 (1994),  
[http://kirkmcd.princeton.edu/examples/detectors/cennini\\_nim\\_a345\\_230\\_94.pdf](http://kirkmcd.princeton.edu/examples/detectors/cennini_nim_a345_230_94.pdf)
- [30] H. Schnyders, S.A. Rice and L. Meyer, *Electron Mobilities in Liquid Argon*, Phys. Rev. Lett. **15**, 187 (1965), [http://kirkmcd.princeton.edu/examples/detectors/schnyders\\_pr1\\_15\\_187\\_65.pdf](http://kirkmcd.princeton.edu/examples/detectors/schnyders_pr1_15_187_65.pdf)